



21.

KIAN DESIGN STUDIO

KIAN DESIGN STUDIO

CATALOGUE 2021

KIAN DESIGN STUDIO

CATALOGUE
2021



WE BELIEVE
IN DESIGN
TO GROW
SUSTAINABLY

WHAT WE DO

Every time you savour some premium coffee at a café, have a meal at a trendy restaurant, or relax at one of the prestigious hotels here or abroad, chances are good that you'd be sitting on a KIAN chair, dining at a KIAN table, or relaxing on a KIAN sunlounger by the pool. Our furniture can be found in hotels, eateries, education centres and F&B establishments in over 100 countries. Wide and varied though our clientele is, we have the flexibility to also cater to businesses with smaller orders, with no compromise in quality and attention to detail.



OUR CAPABILITIES

To ensure consistently high standards of quality, we are extremely particular about whom we choose to supply us with the raw materials for our products. KIAN has long-standing working relationships with several trusted suppliers from various countries. All materials are carefully examined at source for quality before being shipped to our factories. A dedicated team also continually sources for the best materials at the best prices so that we can reap economies of scale. The savings in cost are passed down to our customers to make our furniture highly affordable.



BETTER DESIGN
BETTER VALUE
BETTER WORLD

OUR BRAND PROMISE

Promises are meant to be kept, so we don't make ours lightly.
The KIAN Brand Promise says what you can expect from us.

BETTER DESIGN

Expect higher creativity and better designed systems.
Combining style and performance, our versatile and timeless Original Designs cater to various market segments. Our 'better design' mindset is applied to all fields of endeavour within KIAN to give you ever better end-to-end service.

BETTER VALUE

Expect to have peace of mind and convenience. We provide smart and total furniture solutions, prompt responses, and reliable coordinated on-time delivery.

Expect exclusivity and reasonable prices. Our Original Designs are created only for KIAN by award-winning international designers, and cost savings from our LEAN factories are passed on to you.

BETTER WORLD

Expect to engage with a company that has a conscience, one that cares for the environment and for the total wellbeing of its people.

We want to help make our world a cleaner, safer, more sustainable home. Partner with us if your business shares a similar vision for greener products and happy employees.

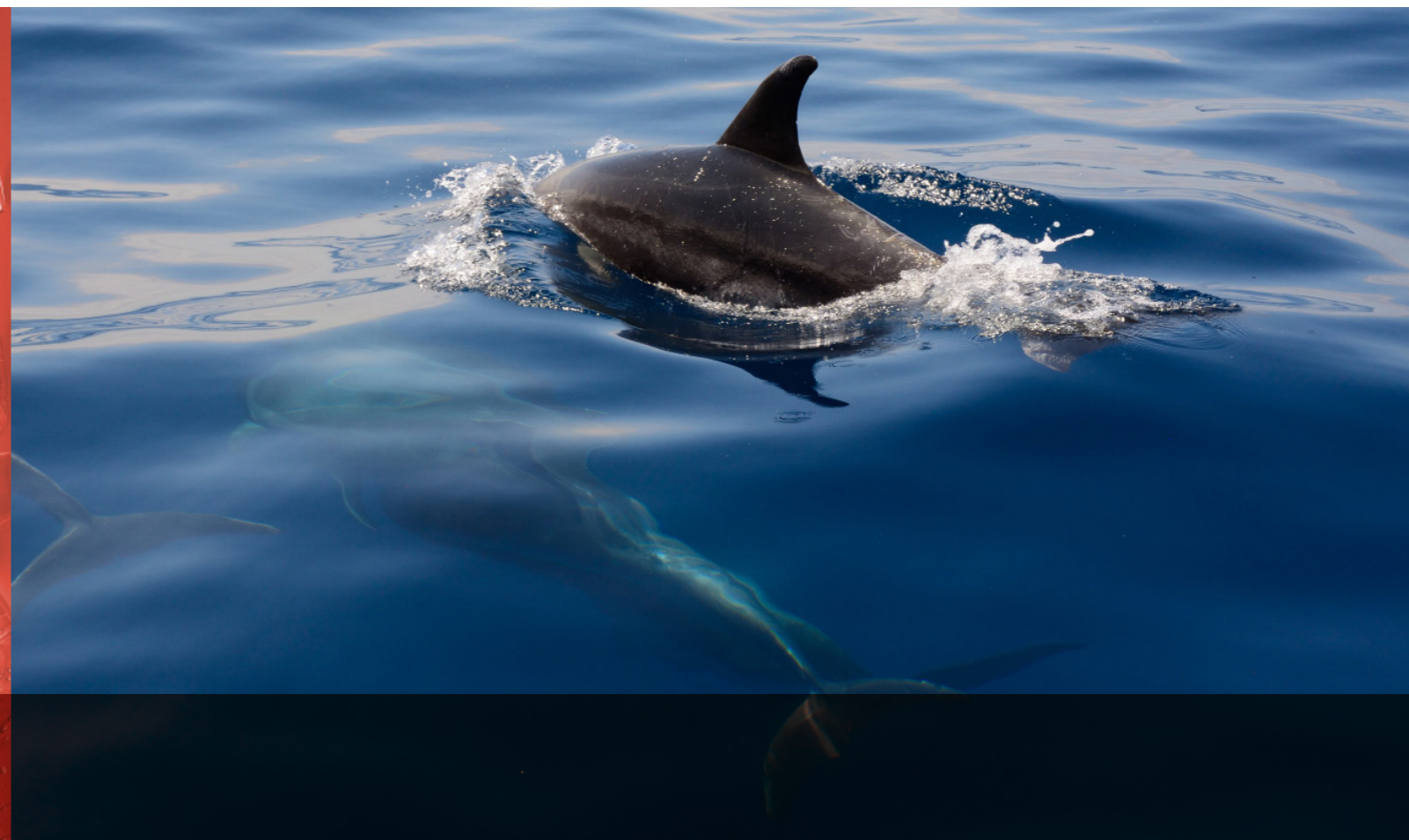


CHOOSE SUSTAINABILITY

To ensure a brighter future for the world and generations to come, we at KIAN have begun taking sustainable steps in order to help save our planet from pollution and curb this growing epidemic. By partnering ourselves with a fully integrated recycling company in Malaysia, Plashaus, we have succeeded in manufacturing our award-winning Louvre and 120 chairs using sustainable Ocean Plastic (OP), with more products in the works.

OP is made of recycled ocean-bound plastics that have been ethically gathered from coastlines around Malaysia. Both of our companies worked closely with each other for months, prototyping multiple iterations to perfect the suitable material pellet formula which was then used to fabricate strong, sturdy and sustainable chairs fit for commercial use.

By giving our customers this sustainable option, we would like to invite you to join us on our journey towards sustainability. Make the change with us for a greener, healthier Mother Earth.





CONTENTS

KIAN DESIGN STUDIO

CHAIRS

- Ovni _18
- Achilla _26
- Zeat _34
- Float _42
- Bobby _52
- Basket _60
- Rope _68
- Bebo _78
- Nordic _86
- Fly _92
- Dana _98
- Astras _104
- Tribute _114
- Birdie _120
- Tucana _126
- Riva _132
- Grado _138
- 120 chair _146
- Louvre _152
- Sponge _158
- Matera _164
- Malena _170
- Eli _176
- Cap _182

ARMCHAIRS

- Album _188
- Tuxedo _198
- Pinna _204
- Gajah _210
- Xion _216

SOFAS

- Rhyme _224
- Scandi _230
- Loft _234
- Noon _238
- Mosaico _244
- Lai _252

TABLES

- Ebony _260
- Quad _264
- Victoria _270
- Pool _276
- Cut _280
- Knots _284
- Daun _288
- Kumi _292
- Otto _296
- Kaleidos _300
- Mizo _302
- T-4 _304
- Barkas _306
- Western _308



CHAIRS

KIAN DESIGN STUDIO

- Ovni _18
- Achilla _26
- Zeal _34
- Float _42
- Bobby _52
- Basket _60
- Rope _68
- Bebo _78
- Nordic _86
- Fly _92
- Dana _98
- Astras _104
- Tribute _114
- Birdie _120
- Tucana _126
- Riva _132
- Grado _138
- 120 chair _146
- Louvre _152
- Sponge _158
- Matera _164
- Malena _170
- Eli _176
- Cap _182

Ovni

This chair is an exercise in minimalism. Constructed of laminated plywood on a metal frame, the Ovni Chair is inspired by a simple geometric shape – the oval. The oval backrest is mirrored in the oval seat, both delicately curved to offer exceptional comfort.

✓ **Ovni** chair

*Veneer oak natural
Mild steel matt black*

Knots table

*HPL white
Mild steel matt black*

design *Enrique Martí Associates*



< **Ovni chair**
HPL matt black
Mild steel matt black

Ovni armchair
Veneer oak natural
Mild steel matt black

v **Ovni chair**
Veneer oak smoke
Mild steel silver



✓ Ovni barstool
Veneer oak natural
Mild steel texture light grey



ovni collection

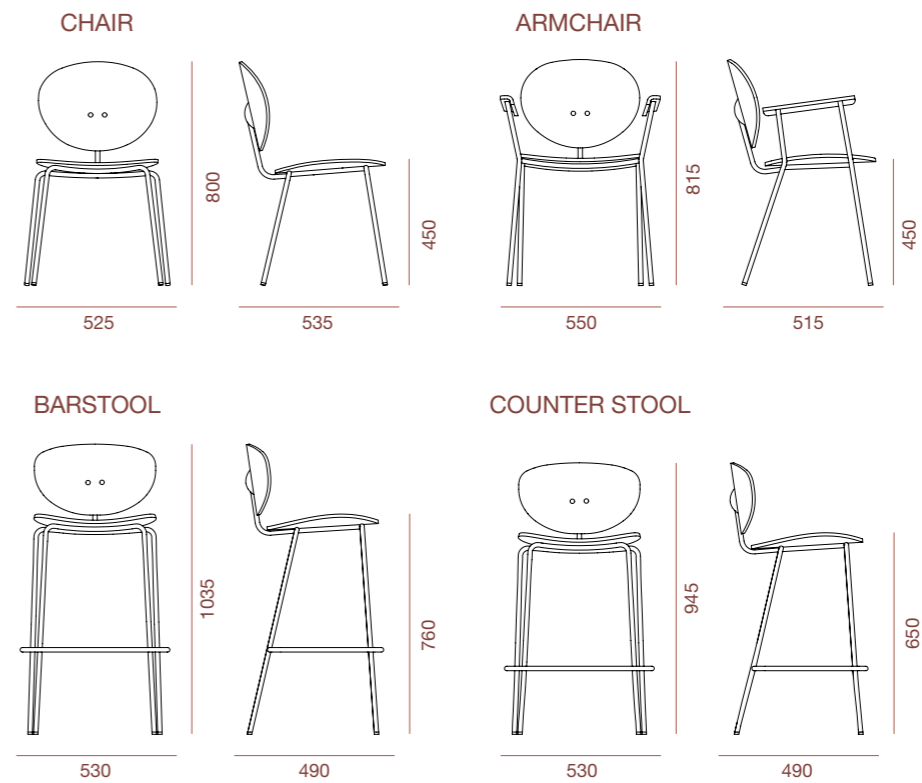


ovni collection

Ovni



OVNI COLLECTION



MATERIAL

Shell: Ash Veneer / Oak Veneer / Walnut Veneer / HPL
Legs: Chrome / Powder Coated Steel

ACCESSORIES

Comes with plastic gliders



Achilla

Think of a tall, svelte lady in a formfitting dress and that's the Achilla Chair. The slender but sturdy frame holds a plywood shell that starts from a high backrest and fans out into the seat in one smooth, sensual sweep. Alluringly slim with a tucked-in waist where the backrest meets the seat, this stackable chair oozes an appeal that sets hearts racing. Available in stainless steel and mild steel.

▼ **Achilla** chair
HPL matt black
Mild steel matt black

Western table
HPL matt black
Aluminium matt black



✓ Achilla chair
Veneer oak walnut
Mild steel matt black

Barkas table
HPL matt black
Aluminium matt black

▼ **Achilla** barstool
Veneer oak mocha
Mild steel matt black

> **Achilla** armchair
Veneer oak smoke
Mild steel sand



achilla collection

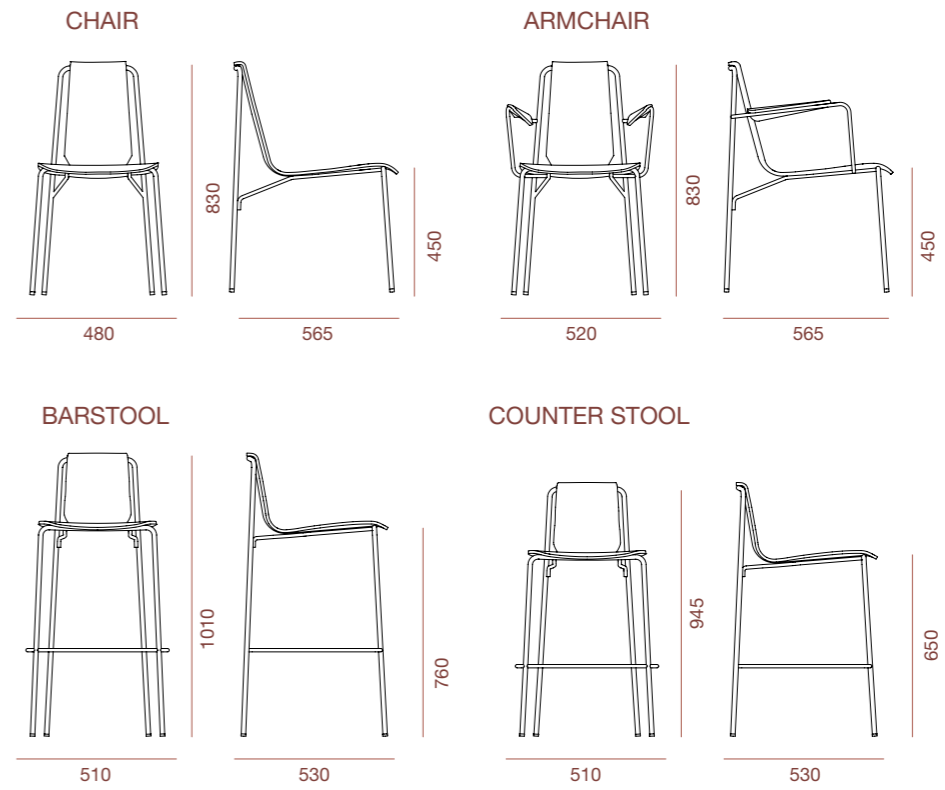


achilla collection

Achilla



ACHILLA COLLECTION



MATERIAL

Shell: Ash Veneer / Oak Veneer / Walnut Veneer
Legs: Chrome / Powder Coated Steel

ACCESSORIES

Comes with plastic gliders



Zeat

Out of the rich Scandinavian design traditions comes the Zeat Chair. Its charm lies in its utter simplicity. Zeat is minimalist in design, but still sports small details and refined curves that give the chair a distinct character. Made of mild steel, its lightness is one of its key strengths. Another is that there are different versions of the Zeat Arm Chair to cater to different moods and styles, especially in the F&B and hospitality fields. Both stackable and non-stackable versions of Zeat are available.

✓ Zeat armchair
Veneer oak natural
Mild steel matt black



▼ **Zeat** chair and chair trestle with wheel

Veneer oak natural
Mild steel matt black

Zeat upholstered chair

Babel water green
Mild steel matt black

Quad rectangular table

HPL calacatta marble
Mild steel matt black



▼ **Zeal** chair
Veneer oak natural, walnut and matt black
Mild steel white

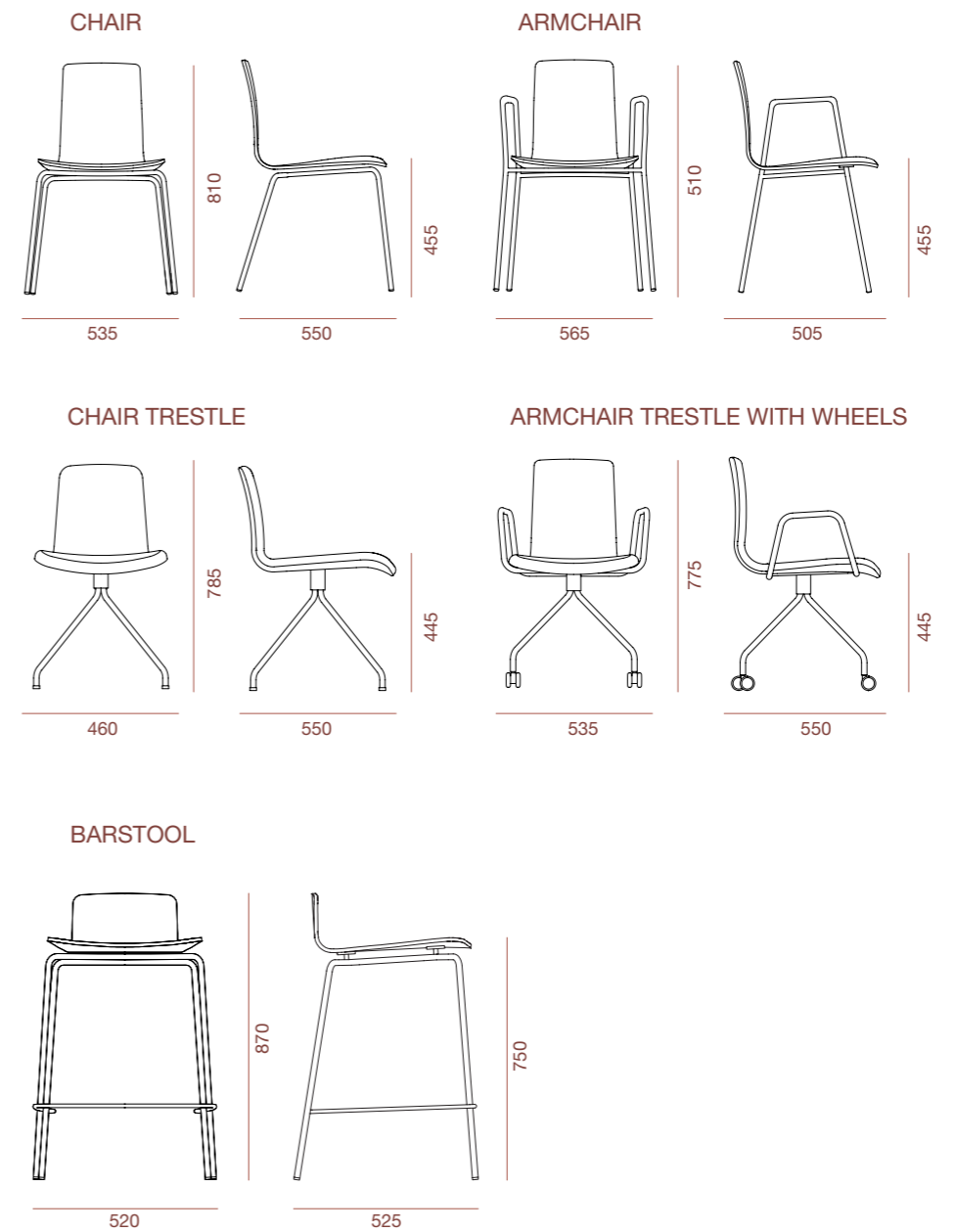
> **Zeal** barstool
Veneer oak natural
Mild steel white



Zeat



ZEAT COLLECTION



MATERIAL

Shell: Ash Veneer / Oak Veneer / Walnut Veneer / Upholstery
 Legs: Chrome / Powder Coated Steel

ACCESSORIES

Comes with plastic gliders



Float

As its name suggests, the Float inventively uses a slender steel frame to give off the illusion that the seat and backrest are freely 'floating'. By delicately weaving this minimalistic look with a traditional Scandinavian design, the Float achieves its goal of being an all-purpose contract chair that will give any setting a coherent look.

✓ **Float** chair
Veneer oak natural
Mild steel matt black

Barkas table
HPL natural white oak
Aluminium matt black



design *Enrique Marti Associates*



▼ **Float** chair and armchair
Veneer oak natural, walnut and matt black
Mild steel matt black



▼ **Float** lounge armchair
Veneer oak matt black
Mild steel matt black



float collection



float collection



< **Float** barstool
Veneer oak natural
Mild steel matt black

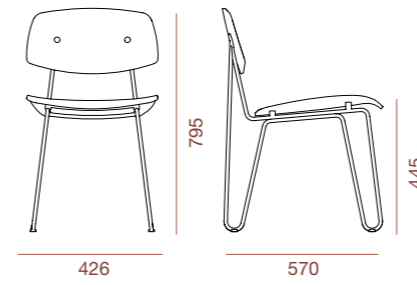
∨ **Float** stool and low stool
Veneer oak natural
Mild steel matt black

Float

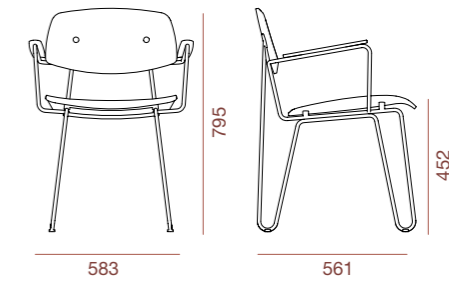


FLOAT COLLECTION

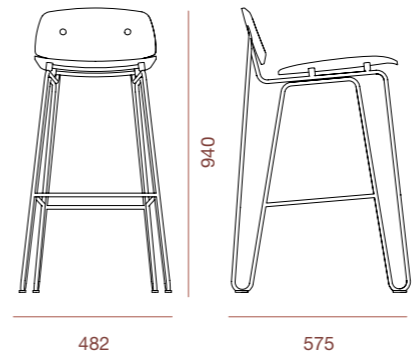
CHAIR



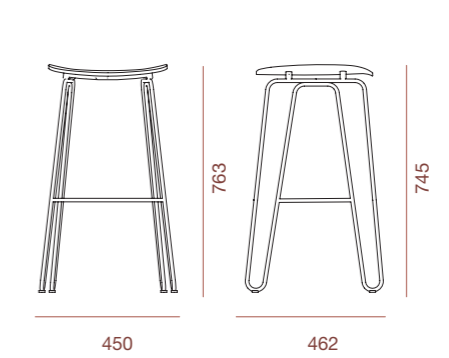
ARMCHAIR



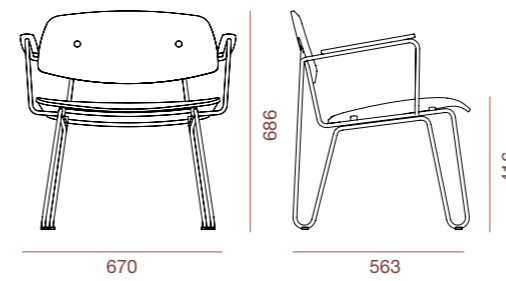
BARSTOOL



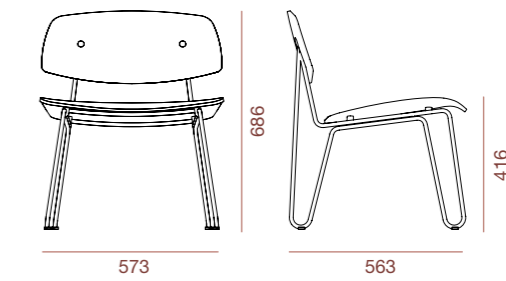
STOOL



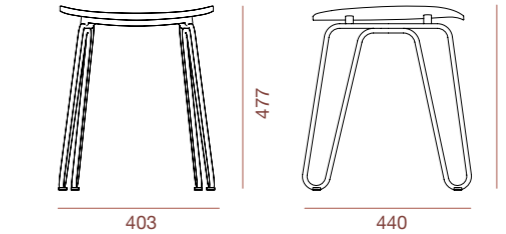
LOUNGE ARMCHAIR



LOUNGE CHAIR



LOW STOOL



MATERIAL

Shell: Ash Veneer / Oak Veneer / Walnut Veneer
 Legs: Chrome / Powder Coated Steel

ACCESSORIES

Comes with plastic gliders



Bobby

There's a certain kind of attraction in simplicity, and the Bobby brings it out to the fullest. Made from a single piece of plywood, the rounded shape of the backrest gives this chair a nice and trendy concept, always a classic design. The sturdy steel frame also makes it durable and absolutely stackable. Always by your side, the Bobby can be your seating companion for any occasion, whether casual or formal depending on its colour and finish.

- ▼ **Bobby chair**
HPL natural oak
Mild steel matt black
- Knots table**
HPL white
Mild steel matt black



design *Enrique Martí Associates*

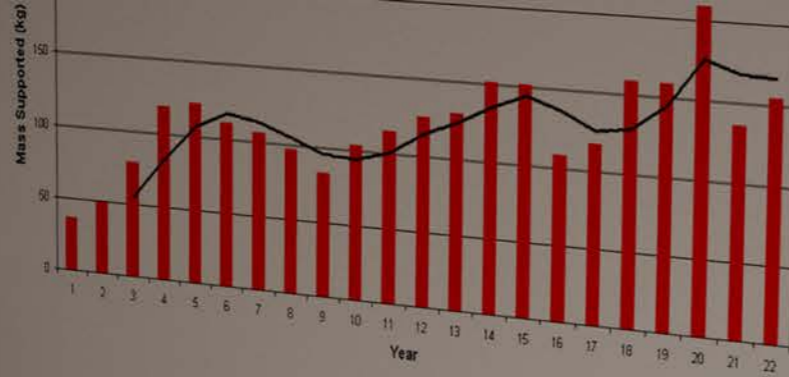


▼ **Bobby** barstool
HPL natural oak
Mild steel matt black

Mizo bar table base
HPL natural oak
Mild steel matt black



✓ **Bobby chair**
Veneer oak matt black
Mild steel matt black

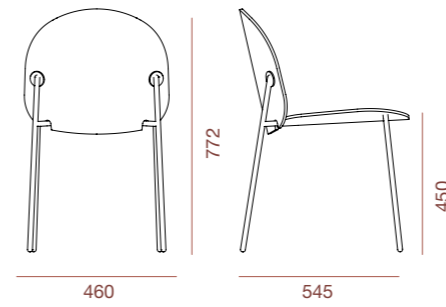


Bobby

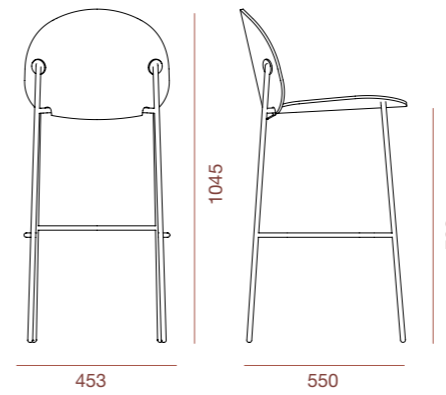


BOBBY COLLECTION

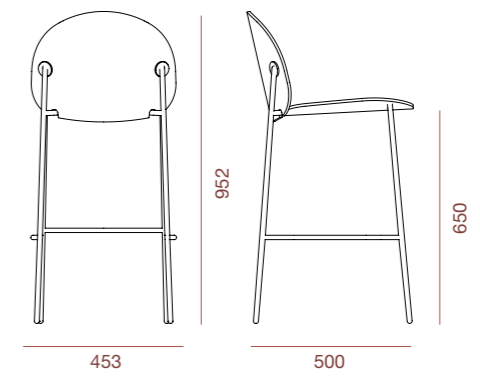
CHAIR



BARSTOOL



COUNTER STOOL



MATERIAL

Shell: Ash Veneer / Oak Veneer / Walnut Veneer
Legs: Chrome / Powder Coated Steel

ACCESSORIES

Comes with plastic gliders

Basket

Since time immemorial, handmade hemp baskets have met human needs in countless ways: from storing food to cradling babies to trapping fish. Their rounded shapes are the inspiration for the very adaptable Basket Chair of contemporary design. Made of stainless steel and flat wicker, this comfortable outdoor chair stands out for its comfort, attractiveness and easy fit into almost any kind of environment. Now also available as a barstool.



▼ **Basket chair**

*Round wicker natural
Stainless steel*

Western table

*HPL natural white oak
Aluminium matt black*



design Enique Marti Associates

✓ **Basket** barstool

Round wicker black
Stainless steel

Mizo bartable

HPL matt black
Mild steel matt black



✓ **Basket** chair and highstool

*Flat wicker espresso
Stainless steel*

Western table

*HPL natural white oak
Aluminium matt black*

Ovni chair

*Veneer oak mocha
Stainless steel*

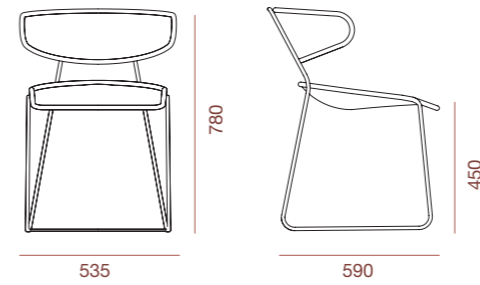


Basket

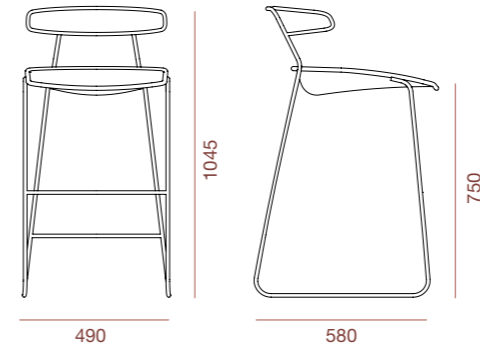


BASKET COLLECTION

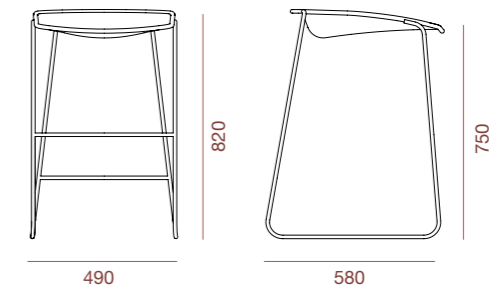
CHAIR



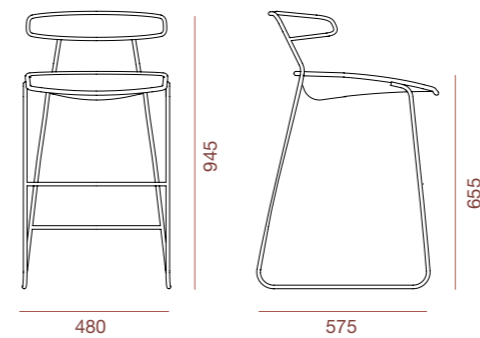
BARSTOOL



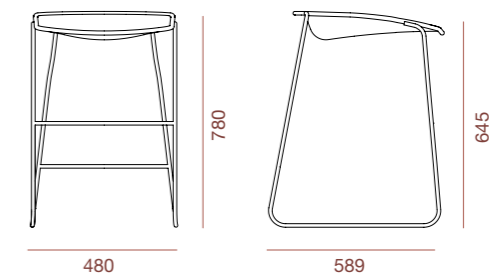
HIGHSTOOL



COUNTER BARSTOOL



COUNTER HIGHSTOOL



MATERIAL

Shell: Round PE wicker
 Legs: Stainless steel / Powder coated steel

ACCESSORIES

Comes with plastic gliders

Rope

Enjoy neoclassical artistry in the Rope. The collection was fashioned to be a clear evocation of the Art Nouveau style with its opulent volumes and generous proportions, with these luxurious details being bolstered by a sturdy steel structure. This blending of art and functionality has given birth to an honest, comfortable and versatile selection of furniture that is able to fulfil even the most demanding expectations.

▼ **Rope** armchair
Arizona forest
Mild steel matt black

Rope table
HPL matt black
Mild steel matt black



design Enrique Martí Associates

✓ **Rope** bench
Sunset red
Mild steel matt black

Rope armchair
Sunset deep blue
Mild steel matt black

Rhyme centre table
HPL matt black
Mild steel matt black
Stainless steel hairline gold for the details



✓ **Rope** barstool, armchair and chair

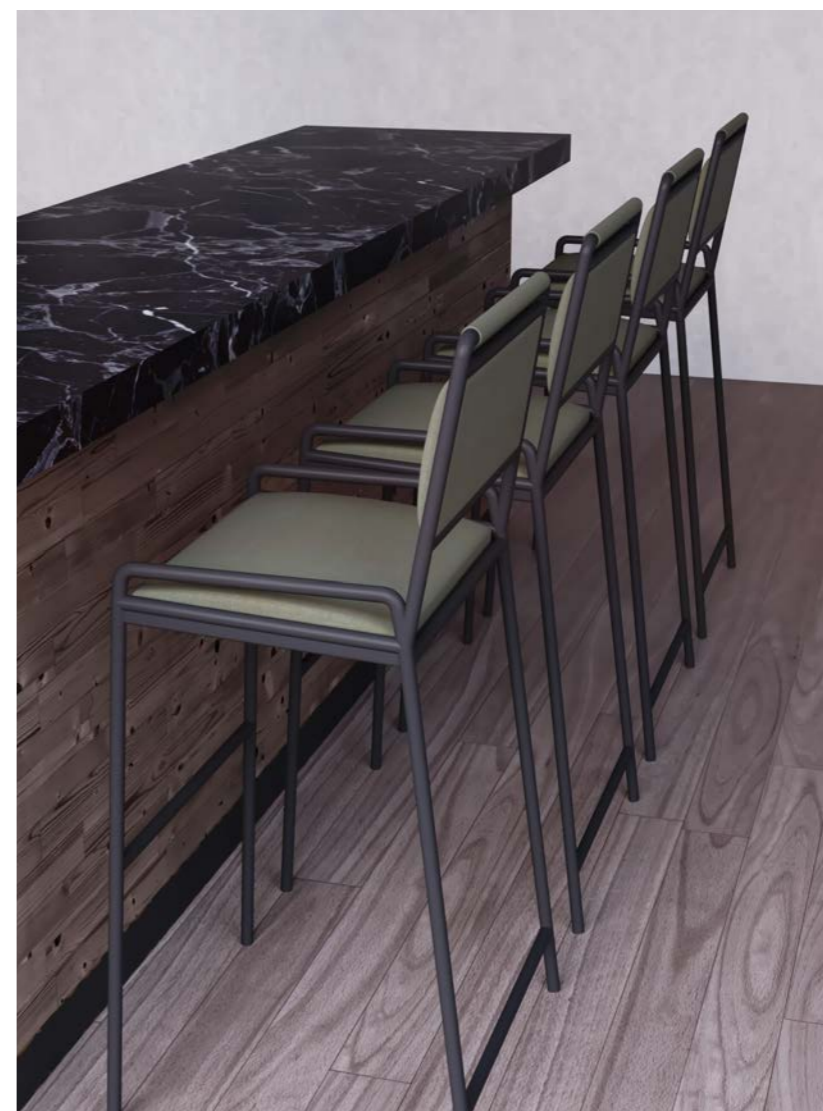
Arizona forest
Mild steel matt black

Barkas table

HPL walnut
Aluminium matt black



rope collection

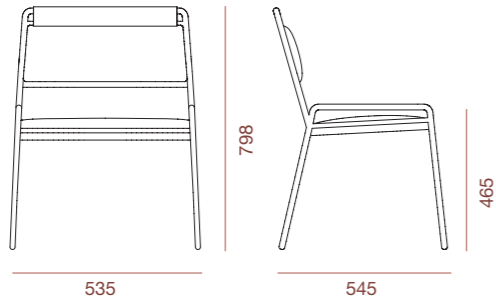


rope collection

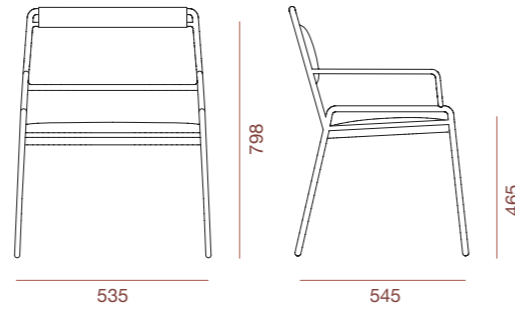


Rope

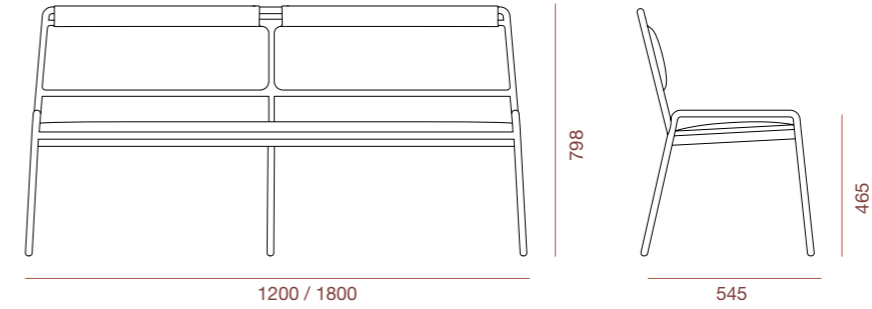
CHAIR



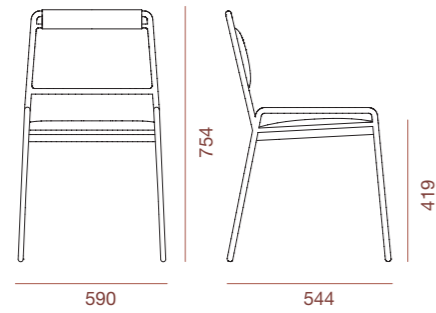
ARMCHAIR



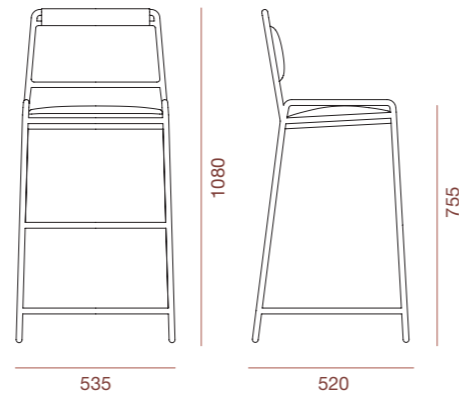
BENCH



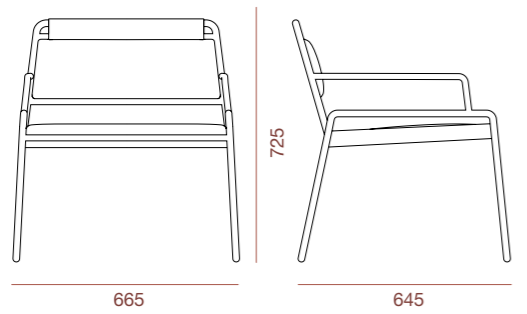
CAFÉ CHAIR



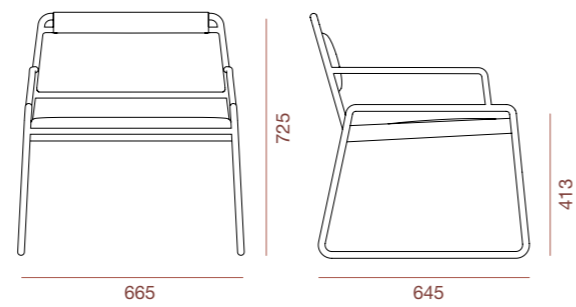
BARSTOOL



LOUNGE CHAIR



LOUNGE CHAIR SLED



MATERIAL

Shell: Upholstered
 Legs: Powder coated steel

ACCESSORIES

Comes with plastic gliders



Bebo

Bebo was conceived from the perceptive intuition of trends to come. The use of a moulded foam seat for superb comfort is an essential feature. Bebo is an expression of rounded, sensual and feministic flair that evokes the feeling of dynamism. Bebo takes its inspiration from the designs of the fifties and sixties, eras that are slowly making a trendy comeback.

✓ **Bebo** armchair 4 legs with back detail and plywood legs

*Sunset forest and lima
Mild steel matt black
Veneer oak natural*

Victoria rectangular table

Veneer oak natural



design Enrique Martí Associates



Bebo armchair with sled frame and wood legs

Sunset red
Mild steel matt black
Veneer oak natural

Western table

HPL natural white oak
Oak solid wood natural
Aluminium matt black

✓ **Bebo** armchair 4 legged slim
Sunset anthracite
Mild steel matt black

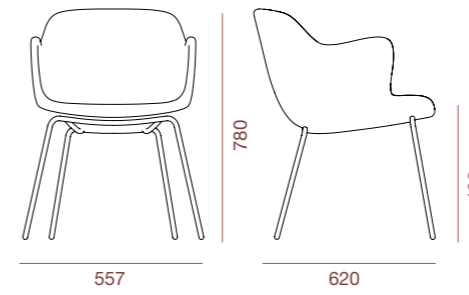


Bebo

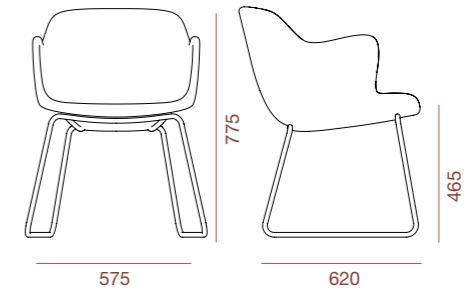


BEBO COLLECTION

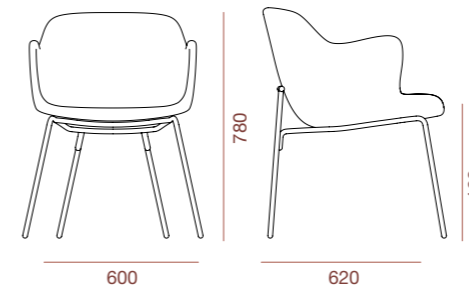
4 LEGGED SLIM



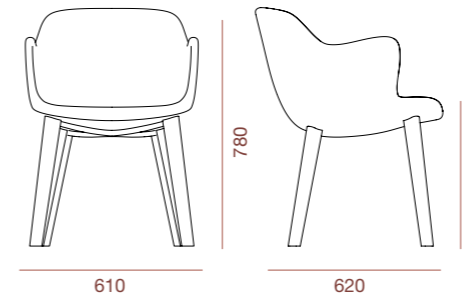
SLED FRAME



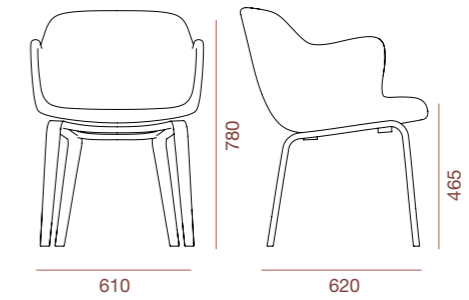
4 LEGGED BOLD



WOOD LEGS



PLYWOOD LEGS



MATERIAL

Shell: Upholstered

Legs: Powder coated steel / Solid beech

ACCESSORIES

Comes with plastic gliders



Nordic

This jewel of a chair is a high tribute to the wood from which it is formed. All the characteristics for which wood is loved are included in the Nordic arm chair: wood's natural beauty, its wild look and kind strength, and its soft touch and soft embrace. Comfort is already a given. Made of solid oak or beech. Nordic also has an upholstered seat.

▼ **Nordic** armchair

Oak natural
Sunset nata



design *Enrique Martí Associates*

▼ **Nordic** armchair

Oak smoke
Babel water green

Knots table

HPL white
Stainless steel hairline bronze

> **Nordic** armchair

Oak smoke
Babel toffe

Mizo table

HPL natural oak
Mild steel matt black

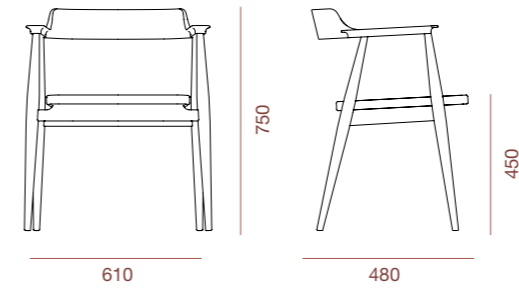


Nordic



NORDIC COLLECTION

ARMCHAIR

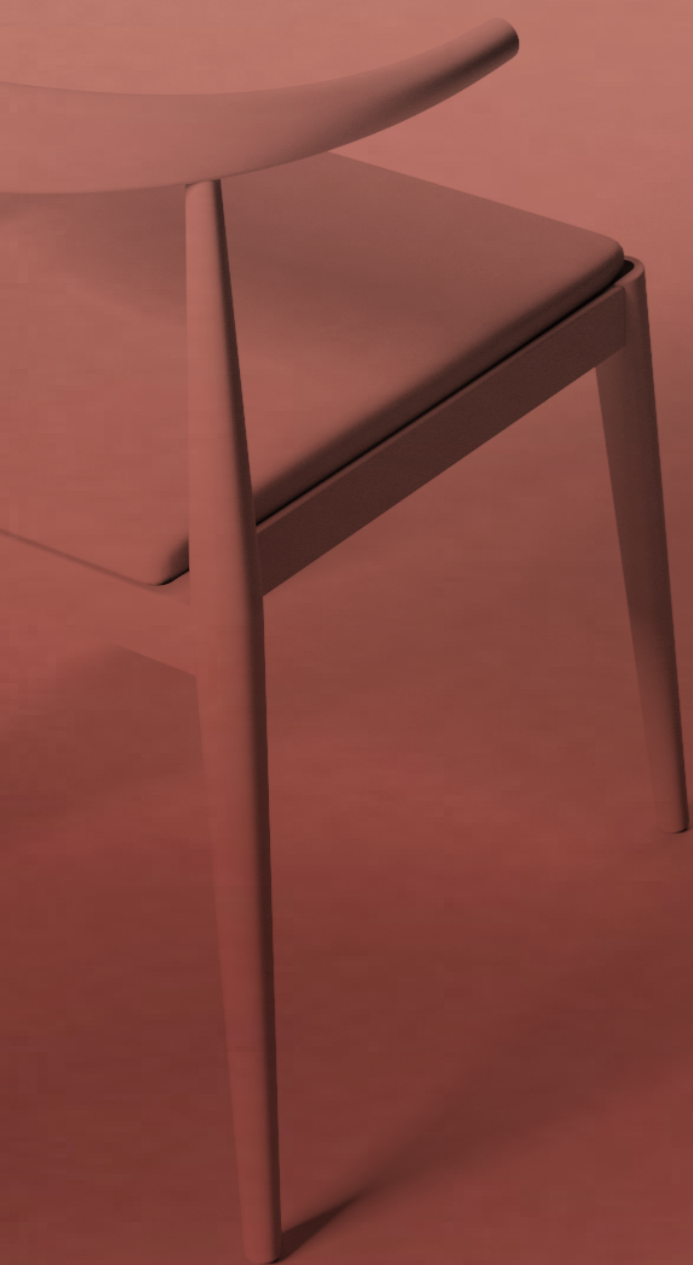


MATERIAL

Frame: Solid Oak / Solid Beech
Seat: Upholstered

ACCESSORIES

Comes with plastic gliders



Fly

The minimalist Fly chair has an inviting bentwood backrest with slim extended arms that suggest continued trajectories over the seat of the chair. The seeming flight of the arms over the upholstered seat gives this side chair a certain sense of lightness that belies its actual strength. Fly is stackable up to two units and is available in four choices of solid oak or beech.

▼ **Fly** armchair
Oak natural
Babel water green

Pool table
Veneer oak natural
Stainless steel hairline gold for the details



design *Enrique Marti Associates*



▼ **Fly** armchair
 Veneer oak natural
 Sunset red

Barkas table
 HPL natural oak
 Mild steel matt black

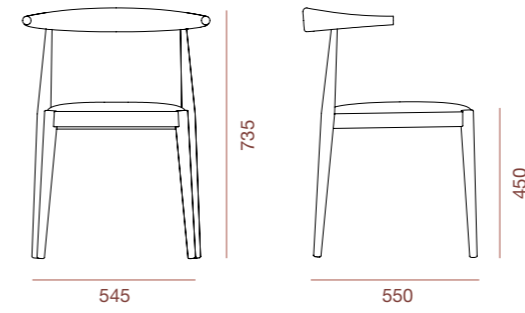


Fly



FLY COLLECTION

ARMCHAIR



MATERIAL

Frame: Solid Oak / Solid Beech
Seat: Upholstered

ACCESSORIES

Comes with plastic gliders



Dana

With soft sensual curves in all the right places ranged up against the solid straightness of a strong frame, this reinterpretation of a Scandinavian classic design has an arresting presence. Dana's beguiling allure is heightened by its petite build and lightness of weight. Enjoy this beauty with or without upholstered seat and back. Dana is available in oak. Non-stackable.



▼ **Dana** chair
Veneer oak natural and walnut

Mizo table
*HPL calacatta marble
Mild steel matt black*



▼ **Dana chair**
Veneer oak natural and walnut

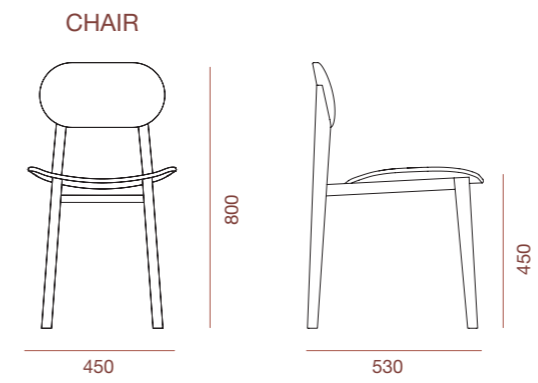
Cut table
Veneer oak natural



Dana



DANA COLLECTION



MATERIAL

Frame: Solid Oak
Backrest & Seat: Oak Veneer

ACCESSORIES

Comes with plastic gliders



Astras

Small changes can make all the difference. The traditional concept of a wooden chair gets a subtle makeover in the Astras Chair. Edges and surfaces are rounded off to add a touch of refinement and elegance to an age-old favourite. The collection is available in solid oak or beech for the frame, and a choice of upholstered fabrics for the seat.

▼ **Astras** chair
*Oak walnut and natural
Sunset silver*



design *Enrique Martí Associates*

▼ **Astras** chair and armchair

Oak natural

Sunset anthracite

Cut table

Oak natural



▼ **Astras** chair

Oak natural

Babel yellow

Barkas table

HPL natural oak

Mild steel matt black





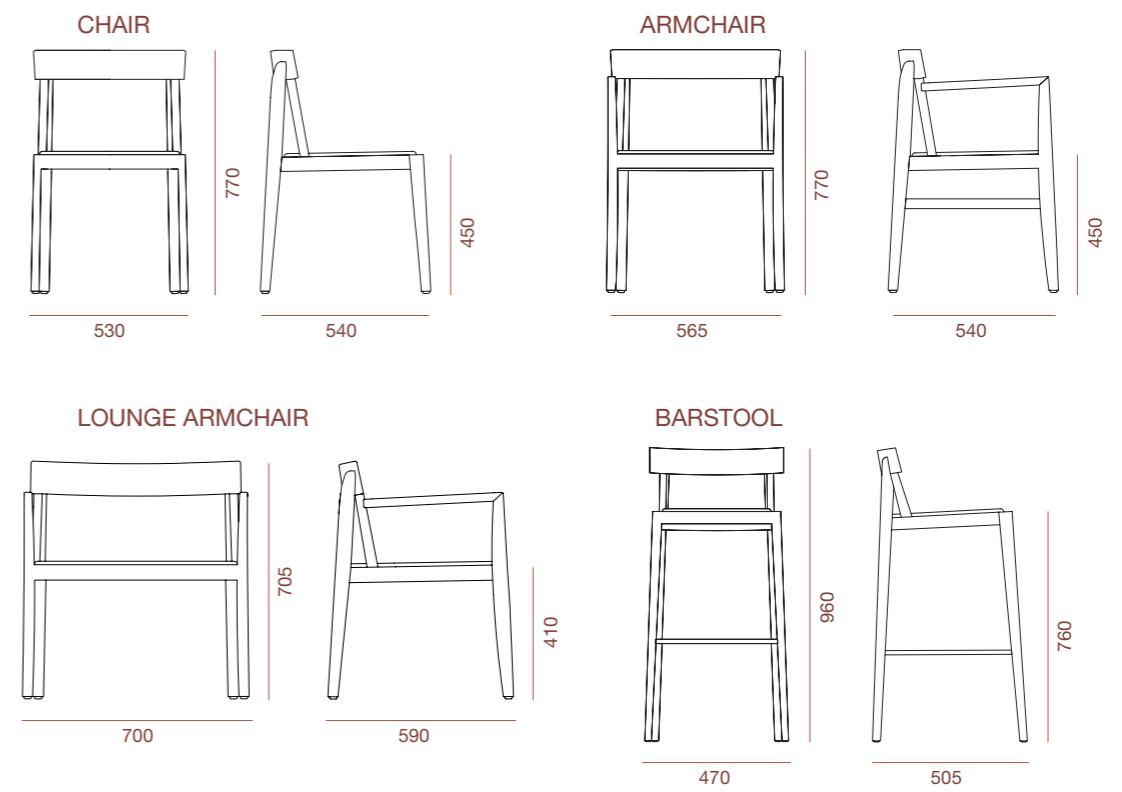
▼ Astras barstool
Oak natural
Sunset anthracite
Stainless steel



Astras



ASTRAS COLLECTION



MATERIAL

Frame: Solid Oak / Solid Beech
Seat: Upholstered
Footrest (barstool): Stainless steel

ACCESSORIES

Comes with plastic gliders



Tribute

Skilfully crafted, this simple looking chair is our tribute to Northern European design maestros. The creativity and ingenuity of these maestros are evident in Scandinavian furniture which can be found in all corners of the world. Exuding the same Scandinavian flavour and spirit loved by many designers, the Tribute chair is an excellent contemporary addition to any room.

▼ **Tribute** chair

Oak natural

Babel white



design *Enrique Martí Associates*



▼ **Tribute** chair

*Oak natural
Babel ash*

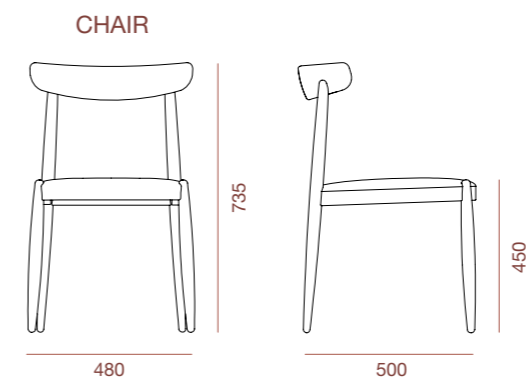
Barkas table

*HPL natural oak
Cast iron / Mild steel matt black*

Tribute



TRIBUTE COLLECTION



MATERIAL

Frame: Solid Oak
Seat: Upholstered

ACCESSORIES

Comes with plastic gliders



Birdie

There's something playful about the Birdie chair. Ingeniously combining the traditional concept of a single rounded backrest with contemporary double-single legs, Birdie brings to mind a charming little bird confidently balanced on a branch. The veneered plywood of the backrest gives this delightful chair unsurpassed comfort. See it in beech or oak, with upholstered or veneered plywood seat.



▼ **Birdie chair**
Veneer oak natural
Babel black

Ebony table
HPL natural oak
Mild steel white

▼ **Birdie chair**
Veneer oak natural
Babel black

Ebony table
HPL natural oak
Stainless steel

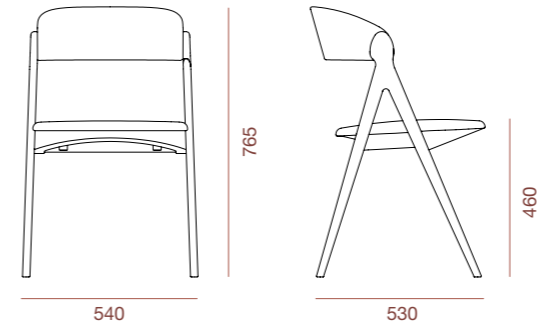


Birdie



BIRDIE COLLECTION

CHAIR



MATERIAL

Frame: Solid Oak / Solid Beech
Backrest: Oak Veneer / Beech Veneer
Seat: Upholstered

ACCESSORIES

Comes with plastic gliders

Tucana

Never again feel you have to decide between the beauty and warmth of wood and the sensual softness of fabric. Enjoy both in the Tucana Chair. The front-facing backrest and seat are attractively upholstered while the back and legs of the chair show off the charm of ash or oak wood. Little details matter too: a small hole in the wooden backrest makes for easier handling of the chair.

▼ **Tucana** chair
Veneer oak natural
Sand forest

design Enrique Martí Associates



✓ **Tucana chair**
 Veneer oak natural
 Sand forest

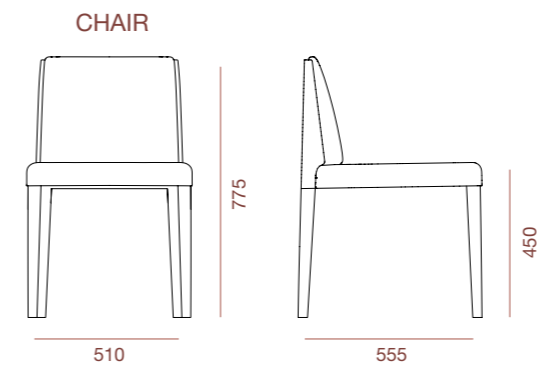
Barkas table
 HPL natural oak
 Cast iron / Mild steel matt black



Tucana



TUCANA COLLECTION



MATERIAL
Frame: Solid Ash / Solid Oak
Backrest: Veneer
Upholstered

ACCESSORIES
Comes with plastic gliders



Riva

The Riva's minimalist design is complemented by curves in all the right places. Simple and warm in nature, the Riva is our take on a classic armchair. Full of Northern European flavour and masterfully crafted out of solid wood, the durable Riva is a reflection of the level of care and thought put in by our designers. It's simple and timeless charms make it a pretty sight, but more than that, the Riva offers remarkable comfort.

✓ Riva armchair
Veneer oak natural
Sunset silver



design Enrique Martí Associates



▼ **Riva** armchair
Veneer oak smoke
Sunset silver

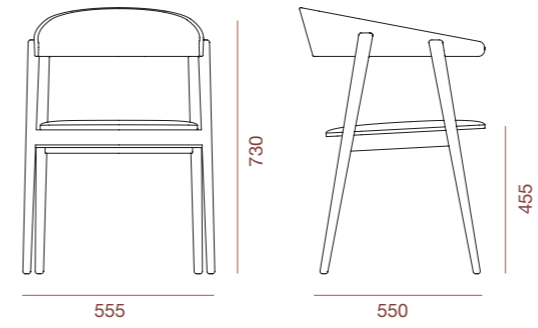
Knots table
HPL walnut
Mild steel matt black

Riva



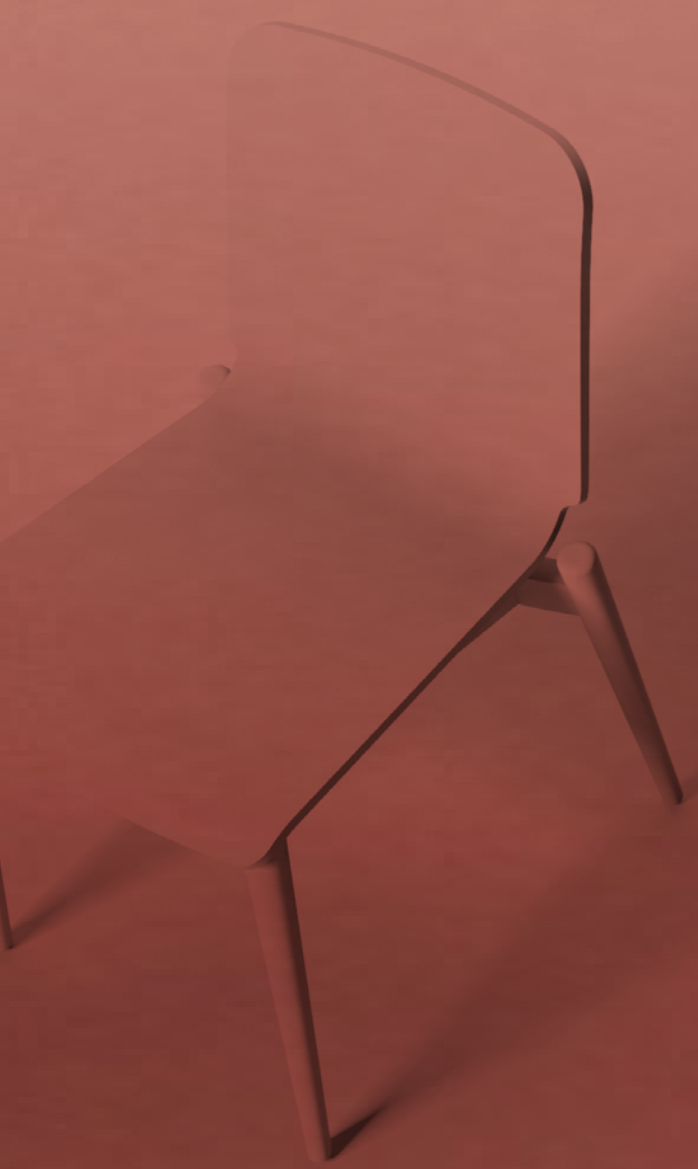
RIVA COLLECTION

ARMCHAIR



MATERIAL
Frame: Solid Oak
Backrest: Veneer
Seat: Upholstered

ACCESSORIES
Comes with plastic gliders



Grado

A popular chair of the 1980s finds modern expression in the Grado Chair. Light and comfortable, this reinterpreted retro chair is also charmingly uncomplicated in design, except for two signature indents at the base of the backrest which single this chair out from the others. The backrest flows seamlessly into the seat in a single smooth sweep, accentuating Grado's elegance. The Chair version is stackable up to five units.

✓ **Grado chair**
Veneer oak smoke
Sunset silver

Victoria table
HPL walnut



design Enrique Martí Associates



Grado chair
Venetian oak matt black
Barkas table
HPL walnut
Cast iron / Mild steel matt black

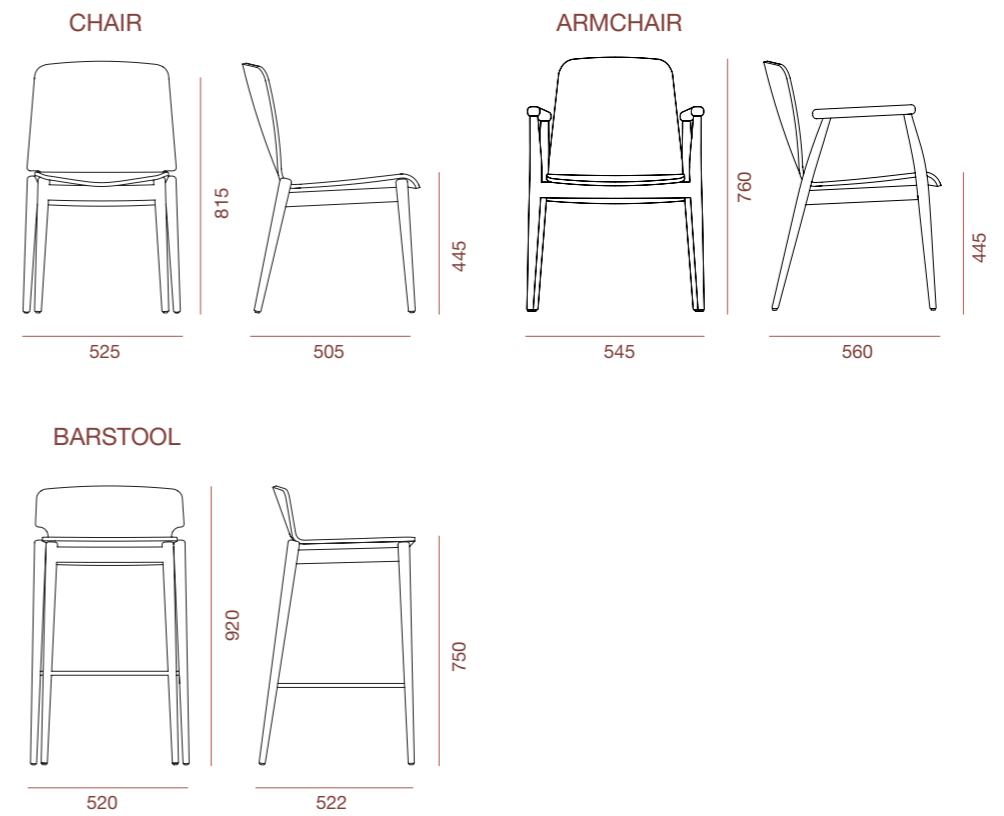
✓ **Grado** barstool
Veneer oak natural
Stainless steel



Grado



GRADO COLLECTION

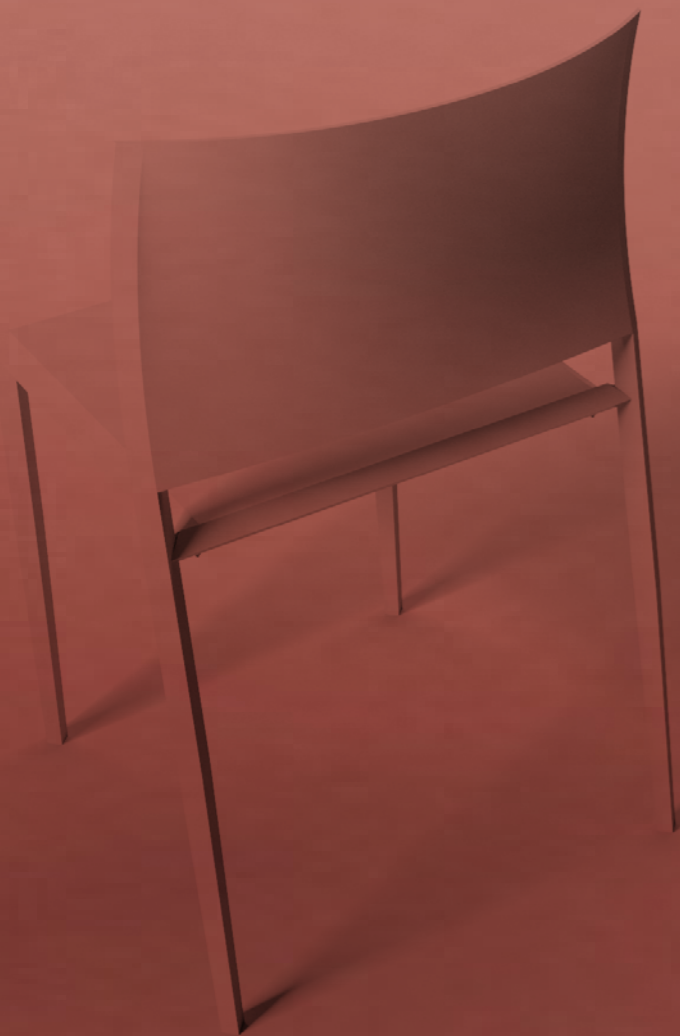


MATERIAL

Shell: Ash Veneer / Beech Veneer
Legs: Solid Ash / Solid Beech
Footrest (barstool): Stainless Steel

ACCESSORIES

Comes with plastic gliders



120

Polypropylene and mild steel combine to present modern sophistication, pure lines and a sturdy, stackable chair in ultra-fresh colours.

The 120 chair was inspired by a triangle's inherent strength. Look for the chair's unique feature of three 120° angles, adjacent to each other, forming the joint between the front leg and the chair seat.

v 120 chair
Polypropylene
crimson red



V 120 chair

Polypropylene nude and brown

Mizo table

HPL calacatta marble

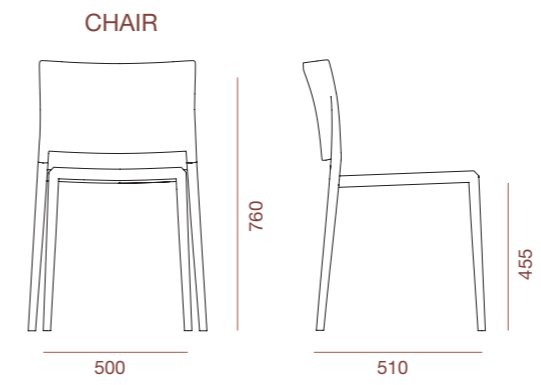
Mild steel matt black



120



120 COLLECTION



MATERIAL

Shell: Polypropylene
Leg: Chrome / Powder Coated Steel
*Also available in Ocean Plastic

ACCESSORIES

Comes with plastic gliders



Louvre

Inspired by the American Midwest style and Shaker craftsmanship, the Louvre chair is a lightweight chair with an open backrest. It reinterprets the design of traditional wooden chairs and utilises the quality of modern plastic injection moulding technology. It is a no-nonsense design that is enjoyable and familiar to the user, and at the same time, modern and fun. The Louvre Chair is stackable and can be used indoors and outdoors.

▼ **Louvre** chair
Ocean plastic white sand, scarlet and onix



design *Danny Fang*

✓ **Louvre** chair
Ocean plastic onyx

Kaleidos table
HPL black slate
Powder coated cast iron & steel



louvre collection

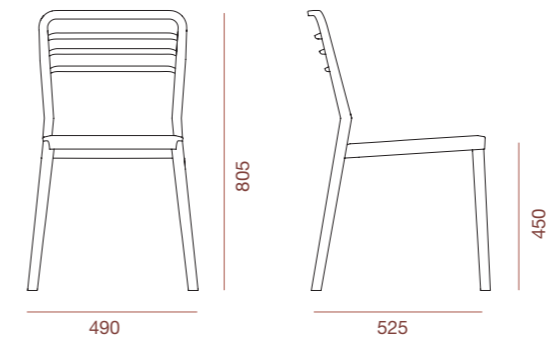
louvre collection

Louvre



LOUVRE COLLECTION

CHAIR



MATERIAL

Injection-moulded and fibreglass reinforced polypropylene
*Also available in Ocean Plastic

ACCESSORIES

Comes with plastic gliders



Sponge

The Sponge is a simple, yet adaptable piece of furniture that is designed to fit in anywhere, no matter where you place it. Made fully of polypropylene, it ensures that the chair is long-lasting, durable, and easily maintained. The Sponge is stackable which allows you to save space and comes in a variety of colours that you can choose from to suit your taste or the theme of your business.



design Kian Design Studio



▼ **Sponge chair**
Polypropylene white

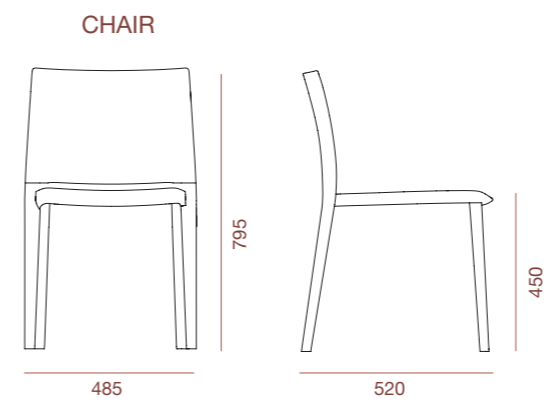
Western table
HPL natural white oak
Mild steel matt black



Sponge



SPONGE COLLECTION

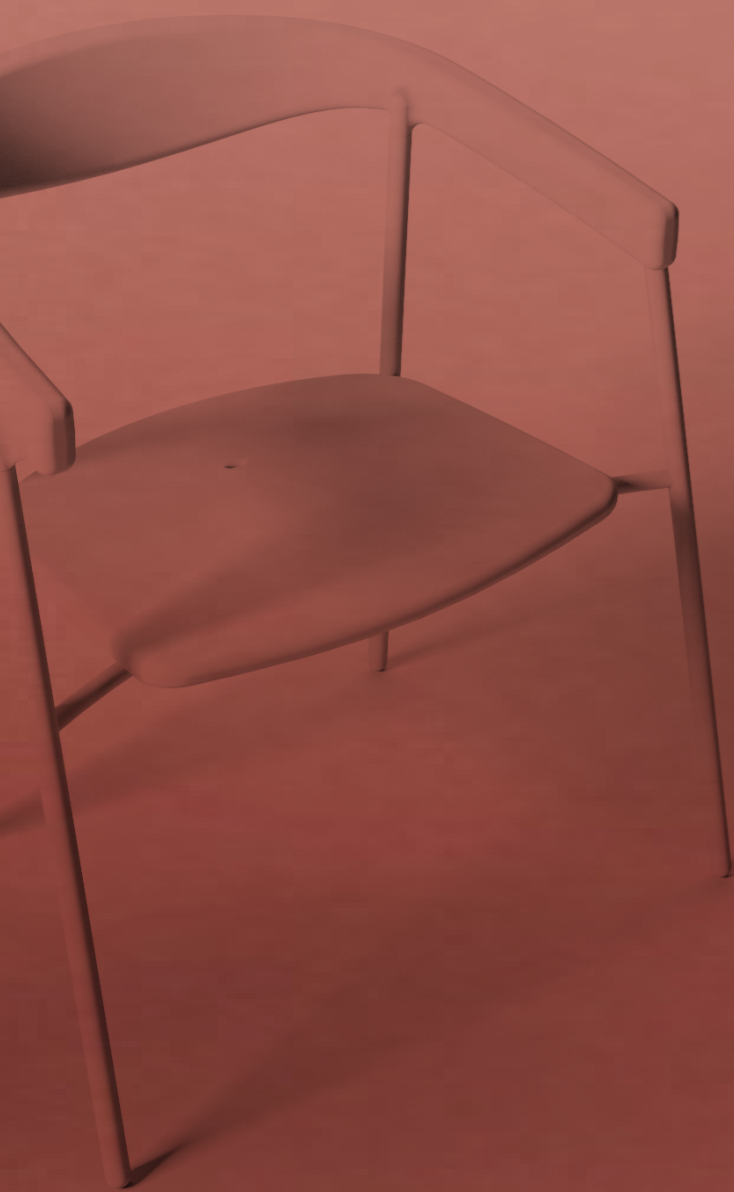


MATERIAL

Injection-moulded and fibreglass reinforced polypropylene

ACCESSORIES

Comes with plastic gliders



Madera

If you had to choose just one chair for both indoor and outdoor areas, the Madera chair would be a great choice. Made of a metal frame and LLDPE, the Madera is water-resistant, so using it for al fresco dining poses no problems.

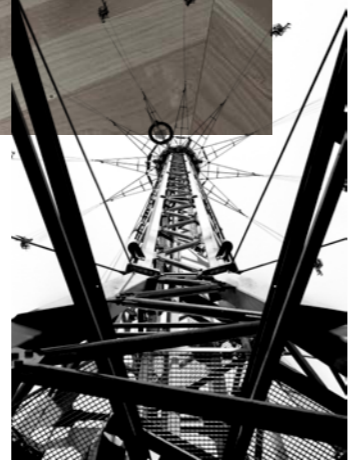
It also saves storage space as it's stackable, and the simplicity of its design makes the chair an easy fit anywhere. To have a different feel for indoor and outdoor spaces, just choose a different colour to distinguish between the two sets of chairs.

▼ **Madera** armchair
Polyethylene black
Mild steel matt black

Ebony table
HPL natural white oak
Mild steel matt black



design Enrique Martí Associates



▼ **Matera** armchair
Polyethylene black
Mild steel matt black

Western table
HPL natural white oak
Aluminium matt black

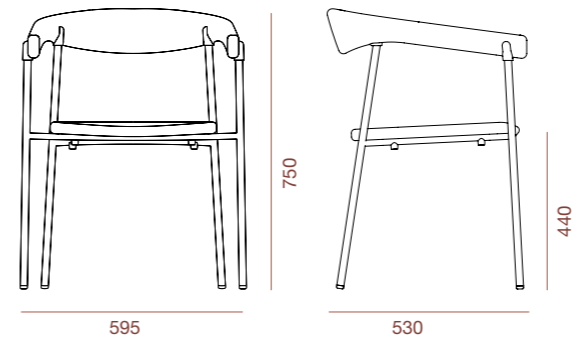


Matera



MATERA COLLECTION

ARMCHAIR



MATERIAL

Shell: Linear low density polyethylene
Legs: Powder coated steel

ACCESSORIES

Comes with plastic gliders



Malena

There is a down-to-earth feel about the Malena chair that gives it a timeless quality. This powder-coated fully aluminium chair is light, strong, durable and comfortable.

Its practical flavour, coupled with the distinctive industrial look and a range of fun colours, makes this chair the right pick for both indoor and outdoor environments, either by itself or as part of a collection.

✓ **Malena** armchair
Aluminium textured pink



design Enrique Martí Associates

▼ **Malena** armchair
Aluminium textured pink

T-4 table
HPL calacatta marble
Aluminium white

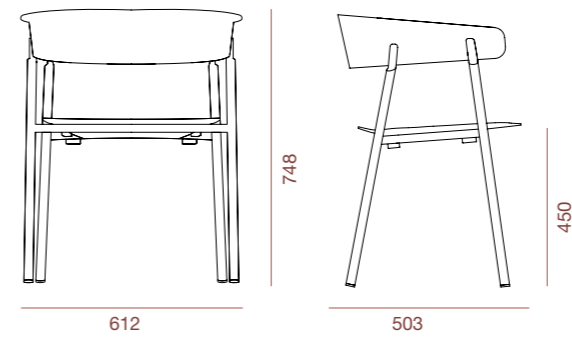


Malena



MALENA COLLECTION

ARMCHAIR



MATERIAL

Shell: Powder coated aluminum
Legs: Steel

ACCESSORIES

Comes with plastic gliders



Eli

Discreet and elegant, the versatile Eli Chair even has two different sizes to offer. This flexibility makes the chair ideal for the hospitality and contract markets. Move and place it anywhere indoors where a seat is needed and it won't look out of place. A frame of either solid ash or oak gives the chair its strength and sturdiness, and comfort is assured with the soft, upholstered back and seat.

- ✓ **Eli chair**
Sunset orange and yellow
Oak natural
- Mizo table**
HPL natural white oak
Mild steel matt black



▼ **Eli chair**
Sunset khaki
Oak natural

Mizo table
HPL natural white oak
Mild steel matt black

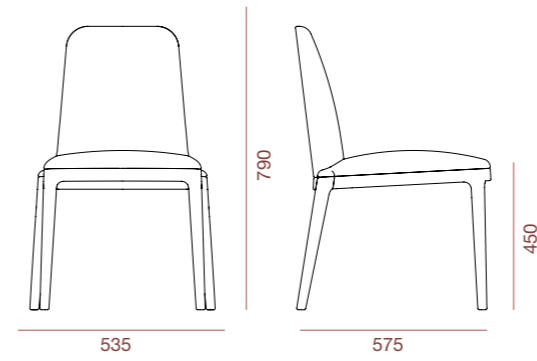


Eli

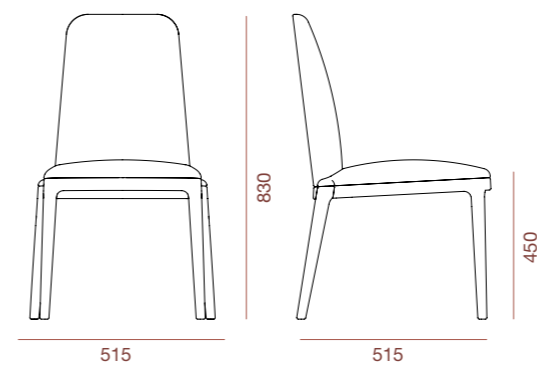


ELI COLLECTION

CHAIR



HIGH BACK CHAIR



MATERIAL

Shell: Upholstered
Legs: Solid Ash / Solid Oak

ACCESSORIES

Comes with plastic gliders

Cap

The Cap is a fun outdoor furniture item that serves two purposes. Sit on it as a stool, but turn it upside down and watch it transform into a flowerpot. Inspired by a bottle cap, it is made of recyclable LLDPE to make it a light and easily movable piece, and it comes in a range of colour options that make it ideal for events.

✓ **Cap stool**
Polyethylene black

Kumi table
Aluminium white
HPL natural white oak

Malena armchair
Aluminium textured pink

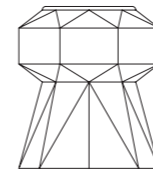
design *Enrique Marti Associates*

Cap



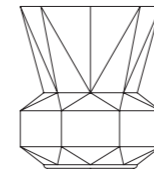
CAP COLLECTION

STOOL



390

PLANTER



390

450

450

MATERIAL

Linear low density polyethylene



ARMCHAIRS

KIAN DESIGN STUDIO

Album _188
Tuxedo _198
Pinna _204
Gajah _210
Xion _216



Album

The Album Collection adds a touch of class to living spaces through the clever use of materials and finishes. Even in open-plan places, private space and boundaries are quietly but distinctly implied by sleek side frames. Powder-coated mild steel frames highlight the elegance of this modern furniture set, a reinterpretation of classic furniture. The Collection includes a Sofa, Arm Chair, Coffee and Side Tables, TV Console, Stool and Bench, Desk, Shelf, Table, Chair, and Console.

▼ Album lounge armchair

Arizona forest

Stainless steel hairline gold

Mild steel matt black



design Jerry Low



▼ **Album** chair and armchair

Arizona dark brown
Mild steel matt black

Album table

HPL calacatta marble
Mild steel matt black



▼ **Album** armchair

Arizona forest
Stainless steel hairline gold
Mild steel matt black

Album sofa

Babel khaki
HPL calacatta marble
Stainless steel hairline gold
Mild steel matt black

Album coffee table

HPL calacatta marble
Mild steel matt black





▼ **Album stool**
Arizona forest
Mild steel matt black

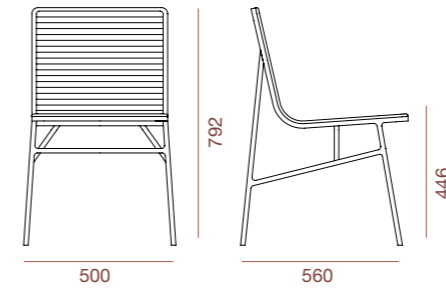


Album

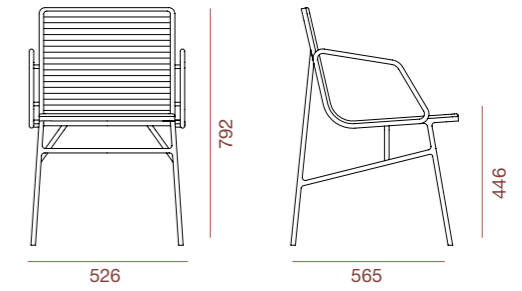


ALBUM COLLECTION

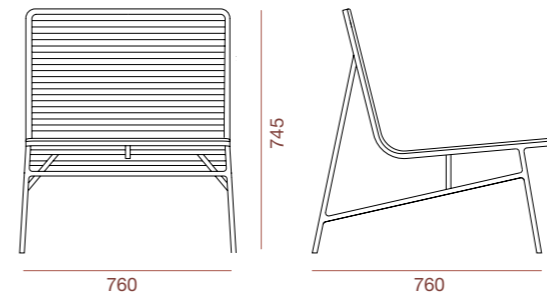
CHAIR



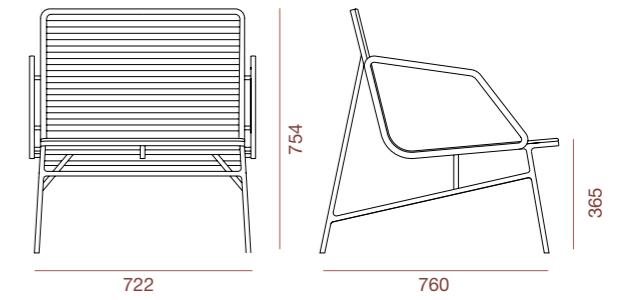
ARMCHAIR



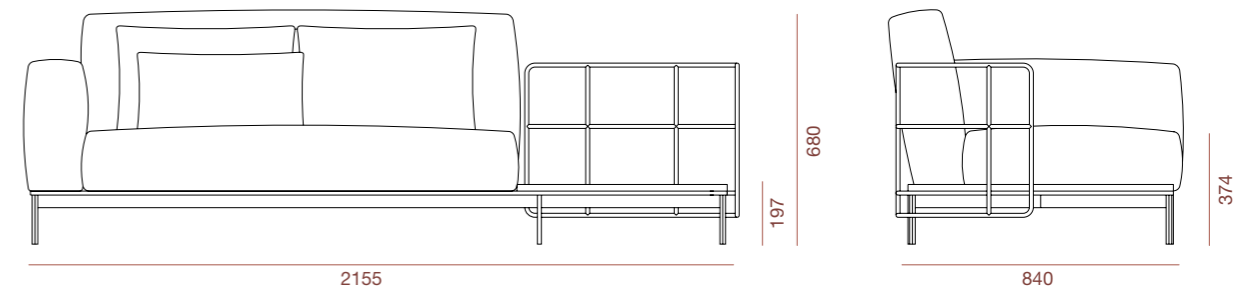
LOUNGE CHAIR



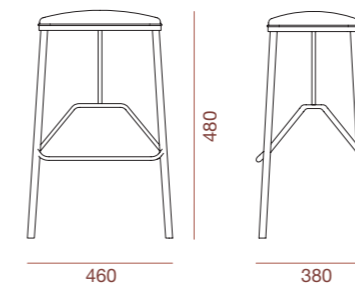
LOUNGE ARMCHAIR



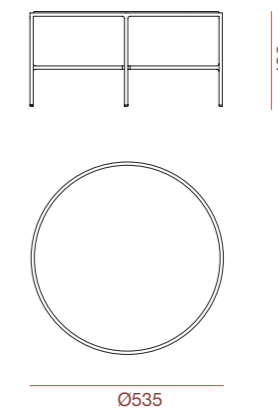
SOFA



STOOL



COFFEE TABLE



MATERIAL

Shell: Upholstered
Leg: Powder coated steel
Armrest: Stainless steel

ACCESSORIES

Comes with plastic gliders

Tuxedo

Emanating class in its simplicity, the Tuxedo utilises a simple wooden structure to support the different components of this chair, where everything is carefully assembled to create a clean, uncomplicated design that is appealing to the eyes. Based on nouveau chairs from the early 20th century, the small and comfortable Tuxedo offers a combination of different fabrics and finishes that allow it to adapt to any occasion with an essence of elegance.

✓ Tuxedo armchair

*Babel safira and water green
Oak solid wood natural
Stainless steel hairline gold for the details*

Pool table

*Oak solid wood cigar
Stainless steel hairline gold for the details*

design Enrique Martí Associates



✓ **Tuxedo** chair and armchair
*Babel silver and ash
Oak solid wood natural
Stainless steel hairline gold for the details*

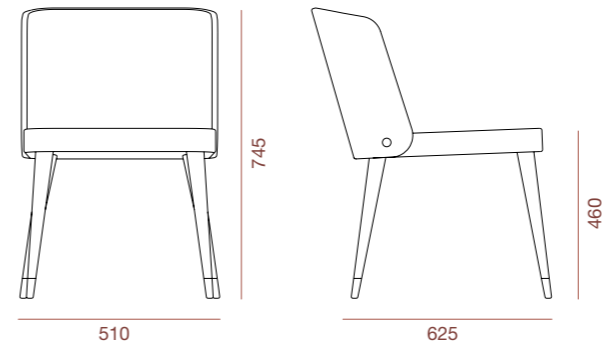
Victoria table
Veneer oak natural



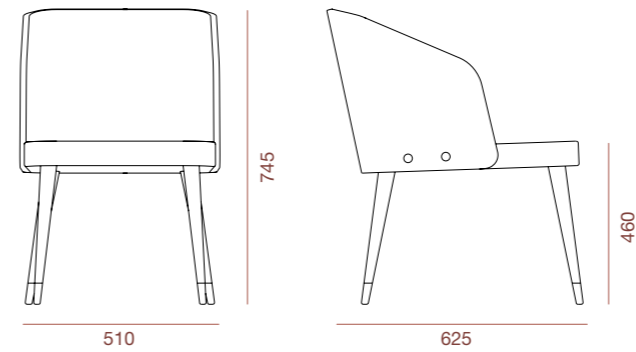
Tuxedo

TUXEDO COLLECTION

CHAIR



ARMCHAIR



MATERIAL

Shell: Upholstered
Legs: Solid Oak

ACCESSORIES

Comes with plastic gliders



Pinna

Simple Nordic designs describe the Pinna series of chairs. Sit snugly within the cosy confines of the Pinna Chair, surrounded by upholstered sides, backrest and an integrated cushion. The fine, tapered legs of solid beech wood highlight the chair's elegance. Pinna is an easy fit with any restaurant decor, whether modern, vintage, hi-tech, romantic or country. Or sink into the great comfort of the Lounge Chair version. The more informal tone of the Lounge Chair version makes it just the thing to have in meeting rooms as well as hotel lobbies and rooms.

▼ **Pinna** lounge chair

Babel blue
Oak natural





▼ Pinna armchair
Babel black
Oak natural

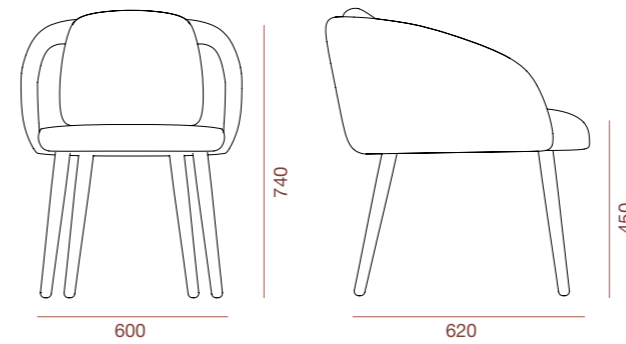


Pinna

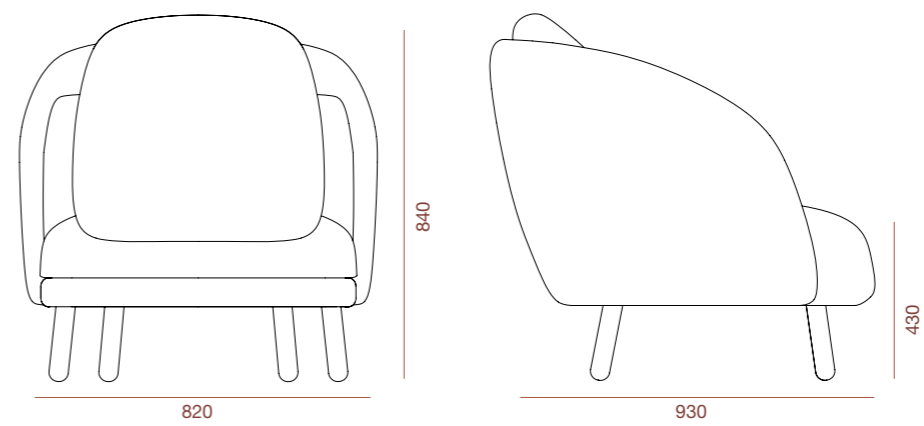


PINNA COLLECTION

ARMCHAIR



LOUNGE CHAIR



MATERIAL

Shell: Upholstered
Legs: Solid beech

ACCESSORIES

Comes with plastic gliders

Gajah

Everything is big about this chair. Like its name implies, the Gajah Chair (gajah means 'elephant' in the Malay language), offers an invitingly deep seat and a generously wide back, complete with two wings that resemble an elephant's huge ears. This fully assembled chair sits on a solid beech wooden frame while the Lounge version has a metal mild steel frame.

▼ Gajah lounge chair

Babel beige
Stainless steel

design Hans Thyge



▼ **Gajah** armchair
Babel silver
Oak solid wood natural

Gajah lounge chair
Sunset yellow and orange
Mild steel matt black

Quad rectangular centre table
HPL black slate
Mild steel matt black

Noon sofa 1 arm module + central module + chaise longue
HPL black slate

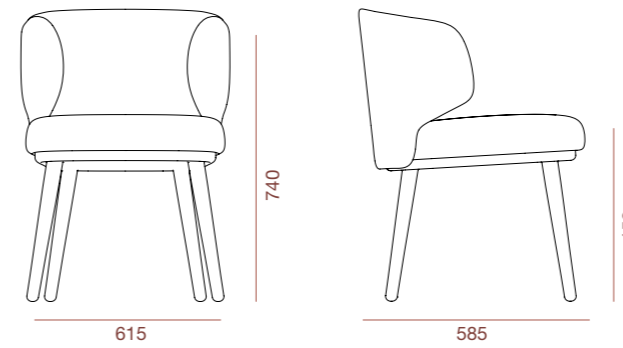


Gajah

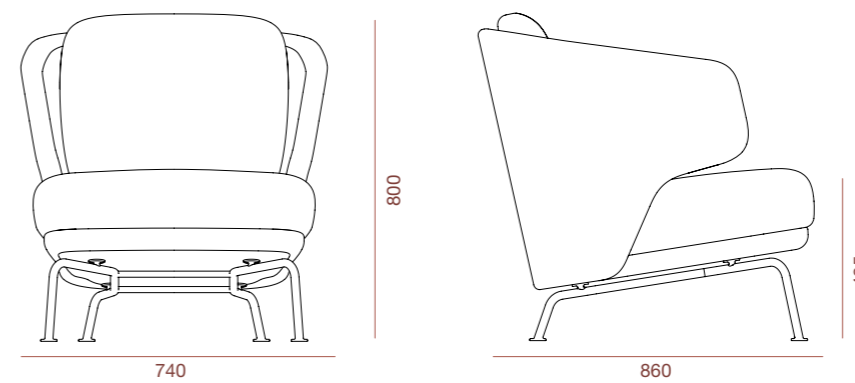


GAJAH COLLECTION

ARMCHAIR



LOUNGE



MATERIAL

Shell: Upholstered

Legs: Powder coated steel leg (lounge) / Solid beech leg (chair)

ACCESSORIES

Comes with plastic gliders



Xion

A reminisce to emblematic hotels of the past era, the Xion takes you back to the days of old high-class restaurants and bars. Cared for down to the very last detail, the tailor-made upholstery and solid wood frame of the Xion puts it in a class of its own. A timeless seating collection that lets you enjoy moments alone or with company, the Xion is a piece of furniture history that has been brought into the 21st century.

▼ **Xion** lounge armchair
Babel safira
Oak solid wood mocha
Stainless steel hairline gold for the details



design *Enrique Martí Associates*

✓ **Xion** lounge armchair
Sunset camel and toffe
Oak solid wood mocha
Stainless steel hairline gold for the details

Otto sidetable
Oak solid wood mocha
Flat wicker white wash

Scandi sofa
Arizona camel

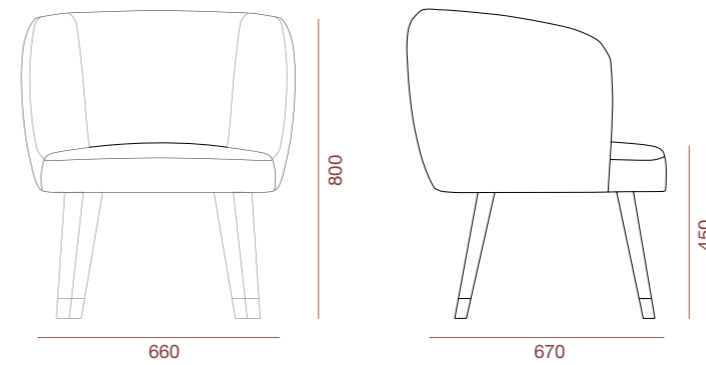


Xion

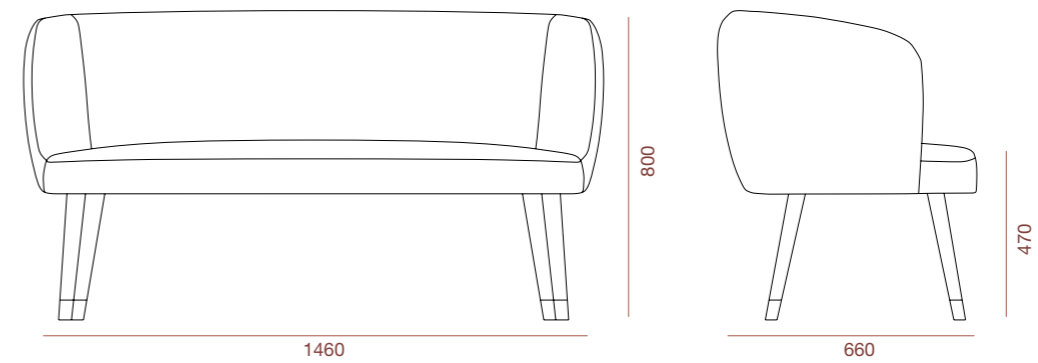


XION COLLECTION

LOUNGE ARMCHAIR



SOFA



MATERIAL

Shell: Upholstered
Legs: Solid oak

ACCESSORIES

Comes with plastic gliders



SOFAS

KIAN DESIGN STUDIO

Rhyme _224
Scandi _230
Loft _234
Noon _238
Mosaico _244
Lai _252



Rhyme

Paying homage to the simple and attractive architectural lines of master designer Le Corbusier, the Rhyme is a structurally balanced design that is full of sense and presence. However, with an emphasis on comfort, the Rhyme adds a twist by turning the straight and hard lines of Le Corbusier into softer and kinder volumes. The result is a fantastic piece with elegant lines, the luxury of noble materials, and the allure of trendy modern furniture.

✓ **Rhyme** lounge chair and sofa 2-seater
*Babel safira and water green
Mild steel matt black
Stainless steel hairline gold for the details*

Rhyme coffee table
*HPL walnut
Mild steel matt black
Stainless steel hairline gold for the details*

Tuxedo armchair
*Babel safira and water green
Oak solid wood natural
Stainless steel hairline gold for the details*

Pool table
*Oak solid wood cigar
Stainless steel hairline gold for the details*



▼ **Rhyme** lounge chair and sofa 2-seater

Babel yellow
Mild steel matt black
Stainless steel hairline gold for the details

Rhyme coffee table

HPL walnut
Mild steel matt black
Stainless steel hairline gold for the details

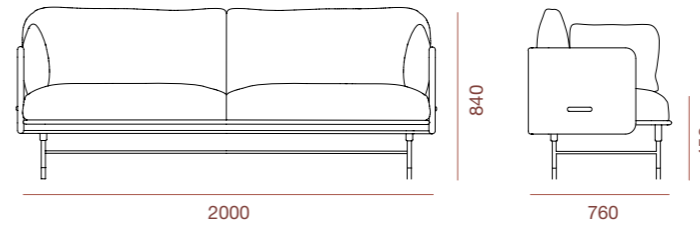


Rhyme

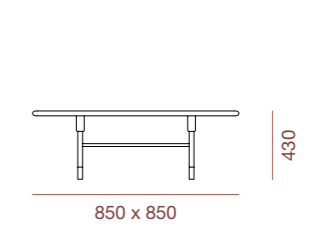


RHYME COLLECTION

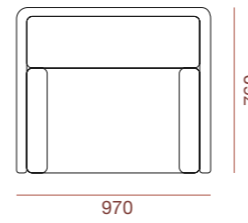
SOFA



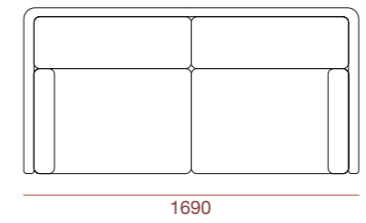
COFFEE TABLE



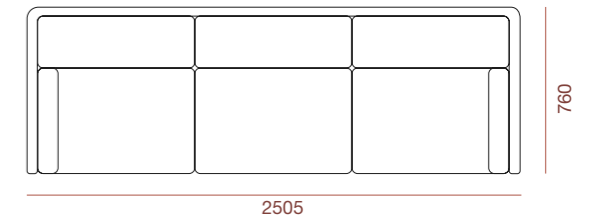
LOUNGE CHAIR



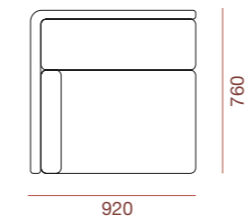
SOFA 2-SEATER



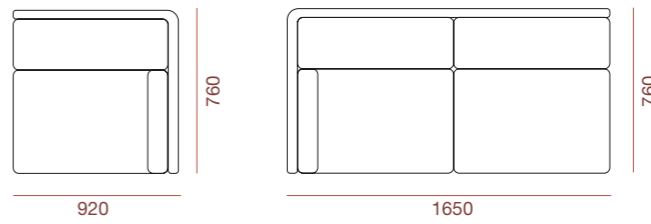
SOFA 3-SEATER



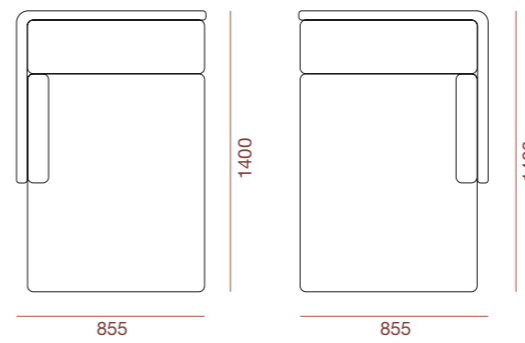
SINGLE UNIT WITH 1 ARM



DOUBLE UNIT WITH 1 ARM



CHAISE LONGUE



MATERIAL

Shell: Upholstered
 Legs: Powder coated steel / Chrome brass
 Feather wrap on foam on seat and backrest

ACCESSORIES

Comes with plastic gliders



Scandi

A classic Scandinavian design that invites you in to enjoy its cosiness. The Scandi is the perfect addition to any space with its pleasingly proportioned shape and earthy tone. The frame is made of sturdy solid wood and can be upholstered in either leather or fabric for a homely feel. The seat and back foam cushions are feather wrapped to further accentuate the comfort of the Scandi.

✓ Scandi sofa 2-seater

Arizona camel

Mild steel matt black

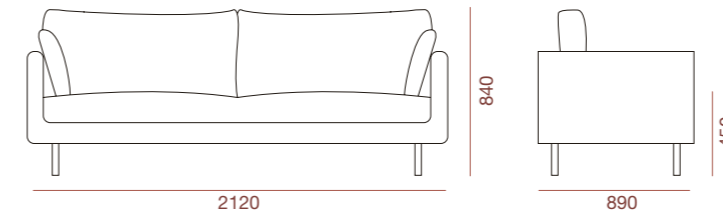


design Peter Mikkelsen

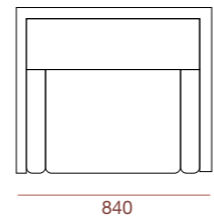
Scandi



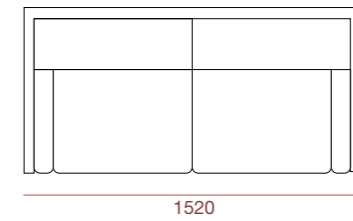
SCANDI COLLECTION



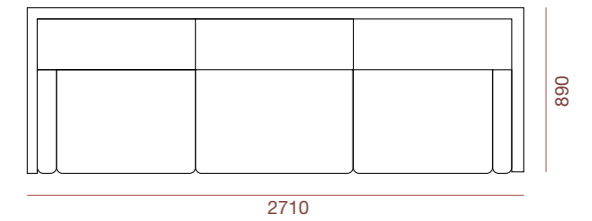
LOUNGE CHAIR



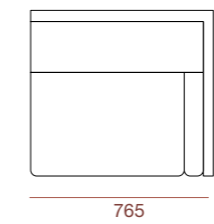
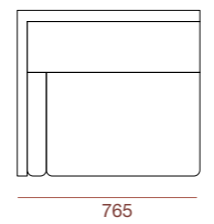
SOFA 2-SEATER



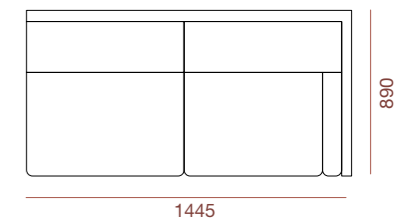
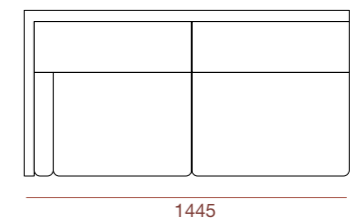
SOFA 3-SEATER



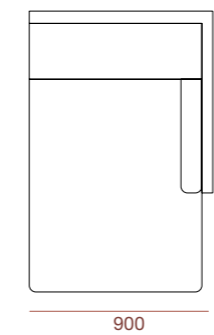
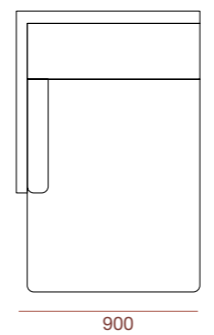
SINGLE UNIT WITH 1 ARM



DOUBLE UNIT WITH 1 ARM



CHAISE LONGUE



MATERIAL

Shell: Upholstered
 Legs: Powder coated steel
 Seat wrap with cotton / Back with foam and fibre filled

ACCESSORIES

Comes with plastic gliders

Loft

Ever dreamt of laying on a soft cloud? Let the Loft take you there with its balanced volumes and soft feathery surface that lets you feel like you are really resting on the fluffiest cloud. This comforting sofa carries itself with a presence of elegance that lets it be a part of even the most refined and distinguished decorations, and can even accept almost every fabric and leather upholstery to give you a choice of customisation while retaining its spirit and cosiness.

▼ **Loft** sofa 3-seater
Babel taupe
Mild steel matt black

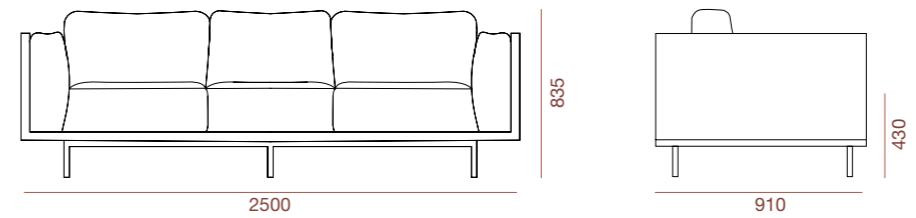


design *Enrique Martí Associates*

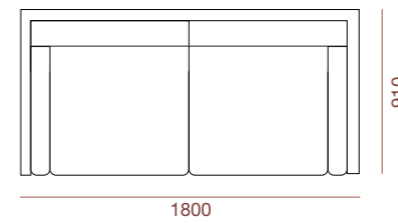
Loft



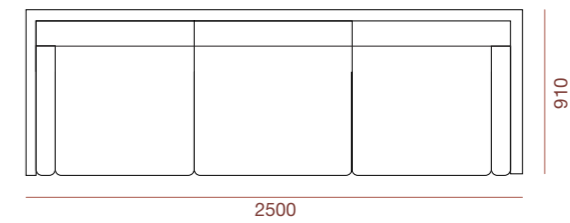
LOFT COLLECTION



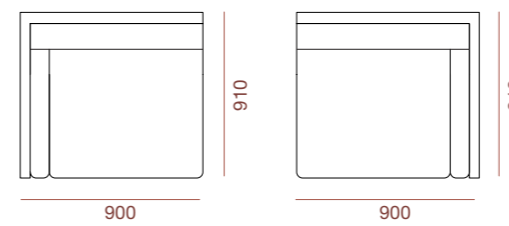
SOFA 2-SEATER



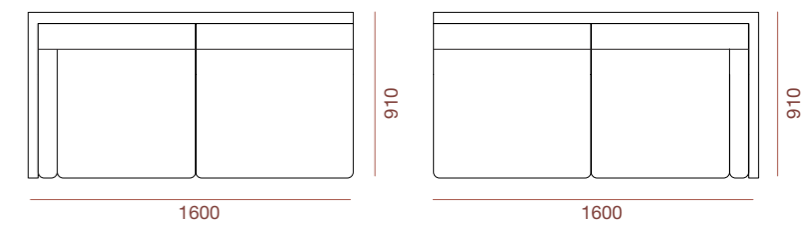
SOFA 3-SEATER



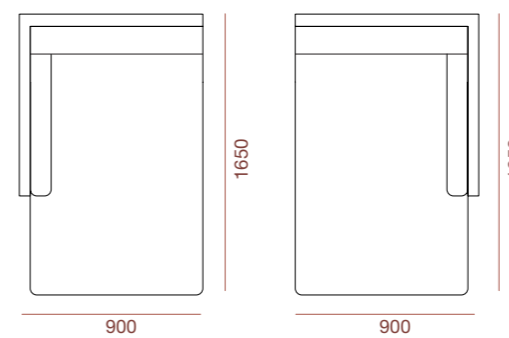
SINGLE UNIT WITH 1 ARM



DOUBLE UNIT WITH 1 ARM



CHAISE LONGUE



MATERIAL

Shell: Upholstered
Legs: Powder coated steel
Seat and back: wrapped with foam and feather

ACCESSORIES

Comes with plastic gliders



Noon

As comfortable as we want and as fancy as our imagination allows, the Noon is a creatively modular sofa with unlimited possibilities. Whether for the comfort of home or bustling public spaces, choose from a selection of three different backrests and fabric options, and combine them with the frame to create the ideal sofa for you. The asymmetrical and intentionally exaggerated arms also perfectly complement the geometric, rounded design of the Noon, giving it a singular and coherent look no matter the choice of backrest.

✓ **Noon** sofa 1 arm module + centre module + chaise longue
Sunset yellow
Oak solid wood natural
Mild steel matt black



design *Enrique Martí Associates*

✓ **Noon** sofa table module + 1 arm module + centre module

Babel sky

Oak solid wood walnut

Mild steel matt black

Rhyme centre table

HPL walnut

Mild steel matt black

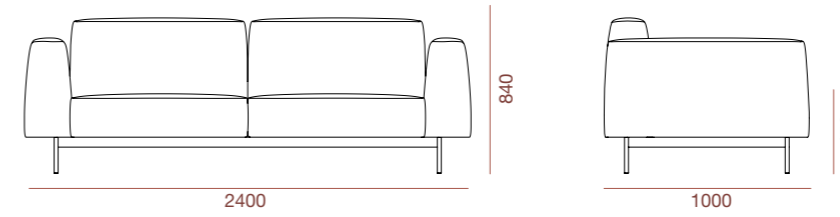
Stainless steel hairline gold for the details



Noon



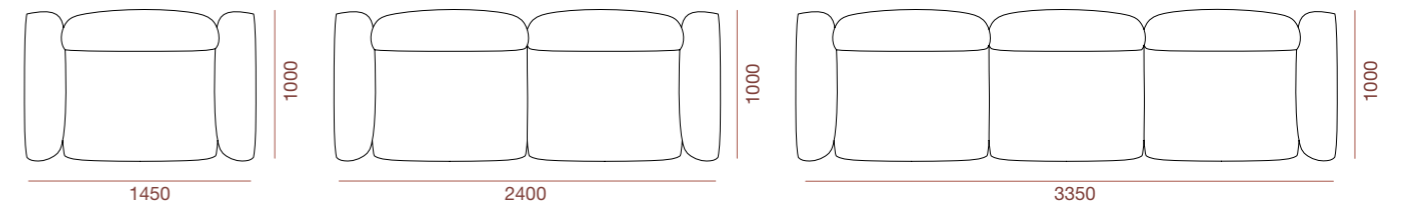
NOON COLLECTION



ARMCHAIR

SOFA 2-SEATER

SOFA 3-SEATER

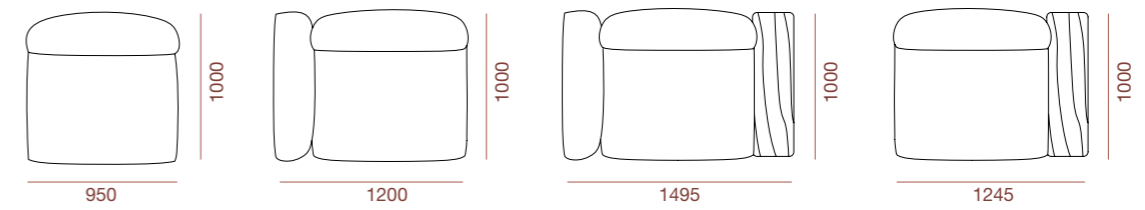


CENTRE MODULE

1 ARM MODULE

ARMCHAIR TABLE

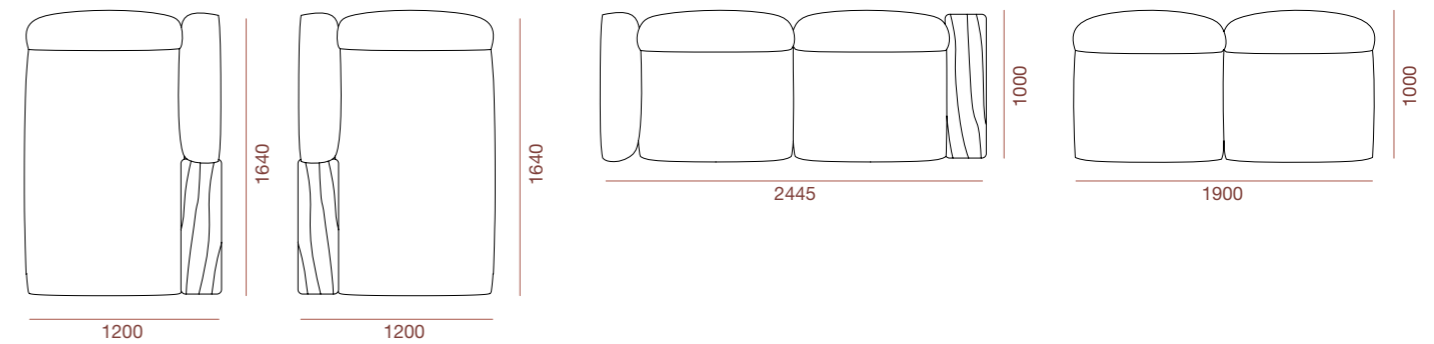
TABLE MODULE



CHAISE LONGUE

DOUBLE UNIT ARM AND TABLE

DOUBLE CENTRE MODULE



MATERIAL

Shell: Upholstered
 Legs: Powder coated steel
 Foam with fiber filled

ACCESSORIES

Comes with plastic gliders

Mosaico

Every public space has its own constraints and needs. The modular Mosaico collection admirably meets those needs with its attractive and versatile design. Have fun pairing, joining and positioning variously shaped and sized sofas, backrests, small trays/writing table, colours and textures. The possible combinations of just a few pieces of furniture seem almost limitless. The Mosaico collection is a natural choice for the public spaces in malls, hotels and student campuses.

✓ **Mosaico** sofa
Babel salmon and red
Oak solid wood natural
Mild steel matt black

design **Enrique Martí** Associates

▼ Mosaico Sofa
Babel blue and white
Oak solid wood walnut
Mild steel matt black



▼ **Mosaico sofa**
Sunset yellow and orange
Oak veneer walnut
Mild steel matt black

Malena armchair
Aluminium textured pink

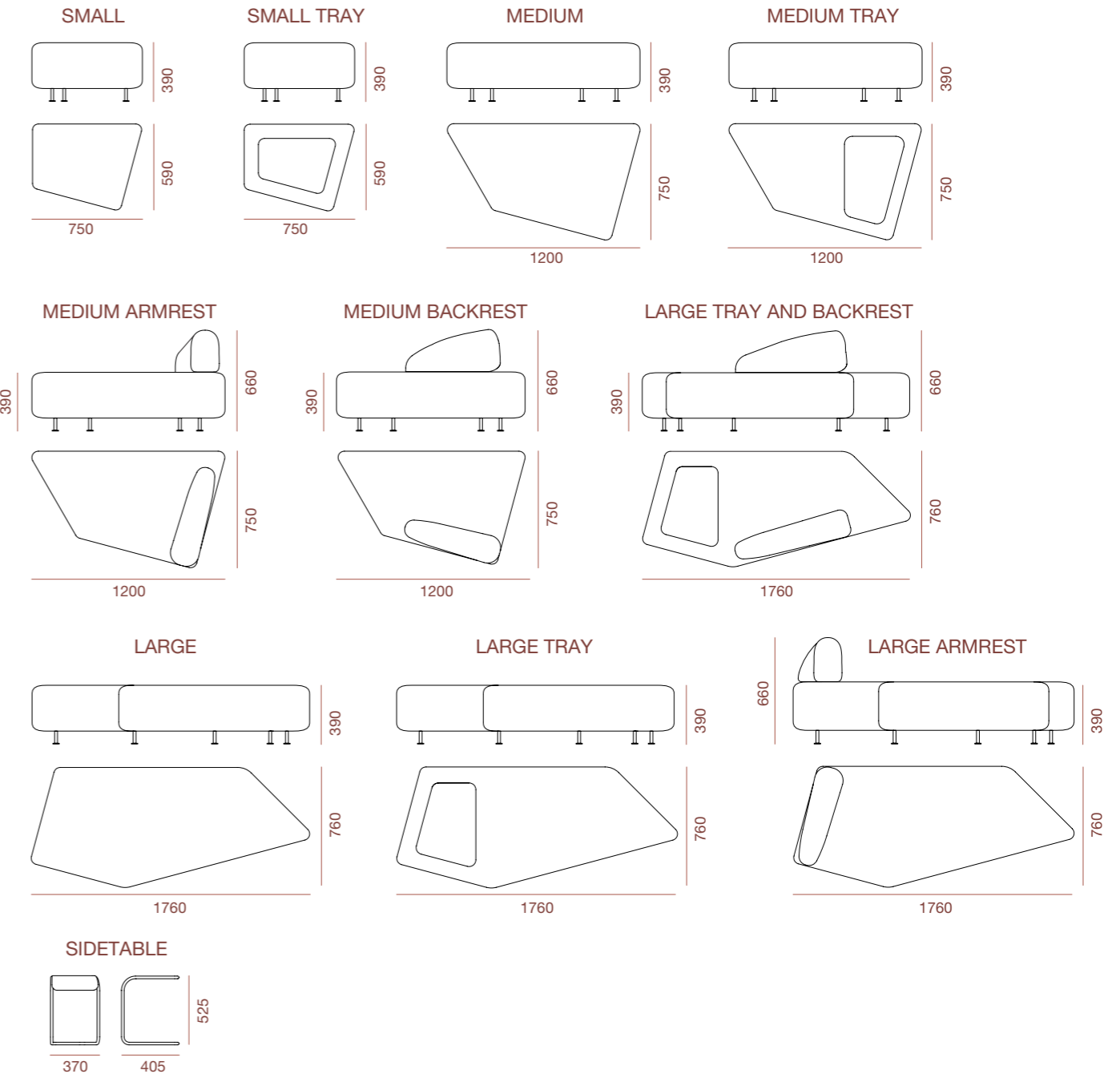
T-4 table
HPL calacatta marble
Aluminium white



Mosaico



MOSAICO COLLECTION

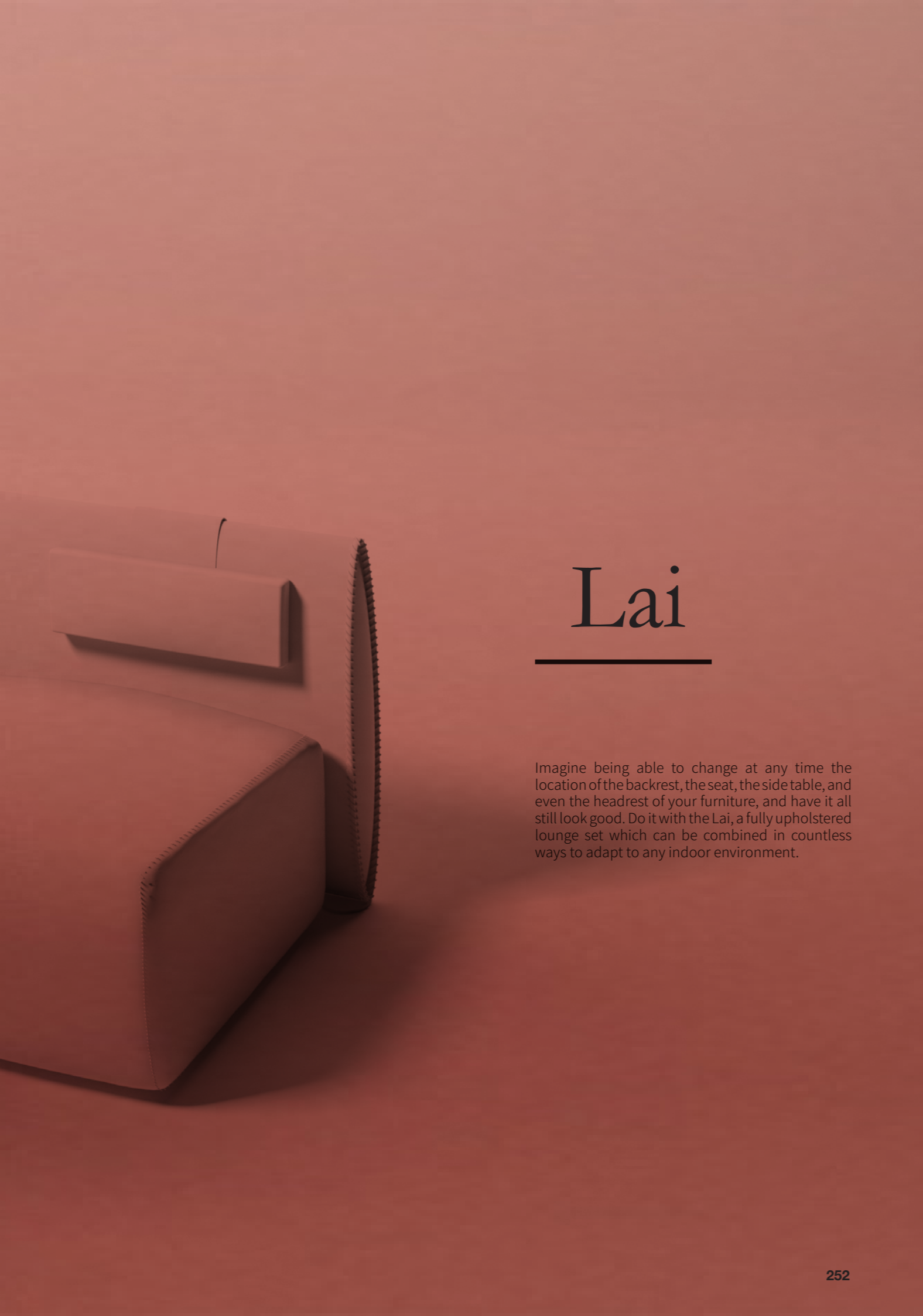


MATERIAL

Shell: Upholstered
 Legs: Powder coated steel

ACCESSORIES

Comes with plastic gliders



Lai

Imagine being able to change at any time the location of the backrest, the seat, the side table, and even the headrest of your furniture, and have it all still look good. Do it with the Lai, a fully upholstered lounge set which can be combined in countless ways to adapt to any indoor environment.



✓ **Lai** 4-seater lounge

*Babel salmon and red
Veneer oak natural*

Zeat chair

*Veneer oak natural
Mild steel matt black*

Zeat upholstered armchair trestle with wheels

*Babel water green
Mild steel matt black*

Quad rectangular table

*HPL calacatta marble
Mild steel matt black*

▼ **Lai** 4-seater lounge

Babel water green and beige

Veneer oak natural

Cap stool

Polyethylene black

Kumi table

Aluminium white

HPL natural white oak

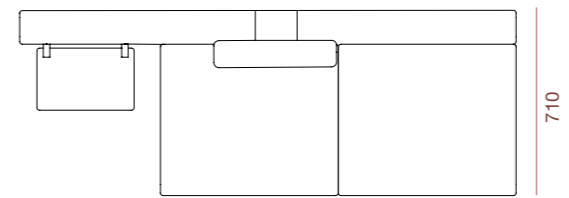
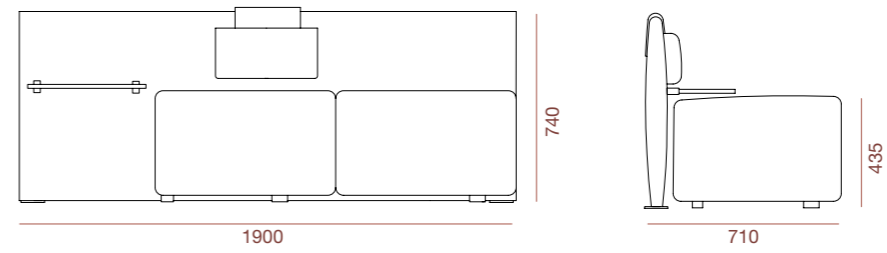


Lai

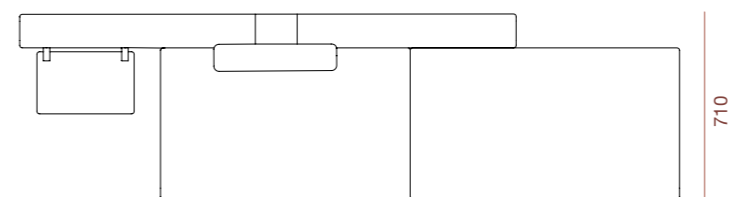
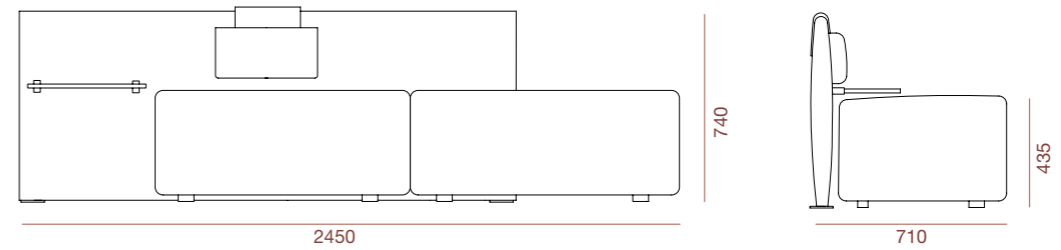


LAI COLLECTION

2-SEATER LOUNGE



4-SEATER LOUNGE



MATERIAL

Shell: Upholstered
Beech veneer side table

ACCESSORIES

Comes with plastic gliders



TABLES

KIAN DESIGN STUDIO

- Ebony _260
- Quad _264
- Victoria _270
- Pool _276
- Cut _280
- Knots _284
- Daun _288
- Kumi _292
- Otto _296
- Kaleidos _300
- Mizo _302
- T-4 _304
- Barkas _306
- Western _308

Ebony

Minimalistic and elegant, the Ebony features a simple thin table top that is paired with subtle, yet beautifully detailed legs. The inspiration for this design is taken from the idea of wrapping paper around things. The shape of the folded metal legs creates stability and strength, and the legs are placed at the far end of each corner to make as much space as possible for chairs. The Ebony is available in various sizes, materials and colours, so you can mix and match to best suit your preferences.

✓ **Ebony table**
HPL natural oak
Mild steel matt black

Bobby chair
HPL natural oak
Mild steel matt black

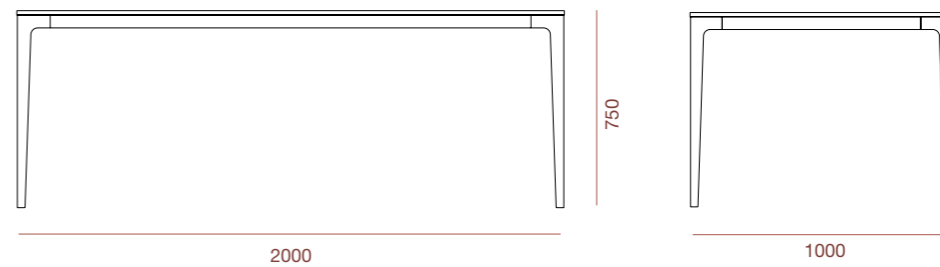
design Enrique Martí Associates

Ebony

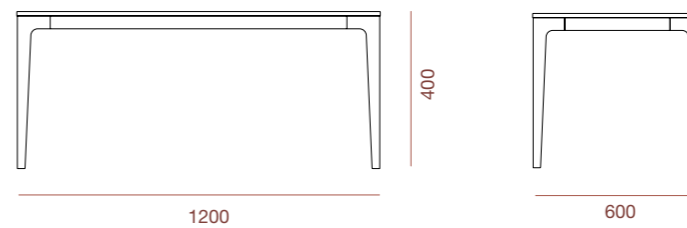


EBONY COLLECTION

TABLE



CENTRE TABLE



MATERIAL

Top: HPL, glass, veneer
Legs: Powder coated steel

ACCESSORIES

Comes with plastic gliders

Quad

Multi-purpose and versatile, the Quad was designed to easily adapt to any size and function. The table legs were meticulously studied in detail to give it the best strength and stability with the use of less materials. The Quad comes in varying sizes depending on the length of the crossbars and can be paired with any kind of table top, making the Quad the most universal table in our collection.

✓ **Quad** rectangular table

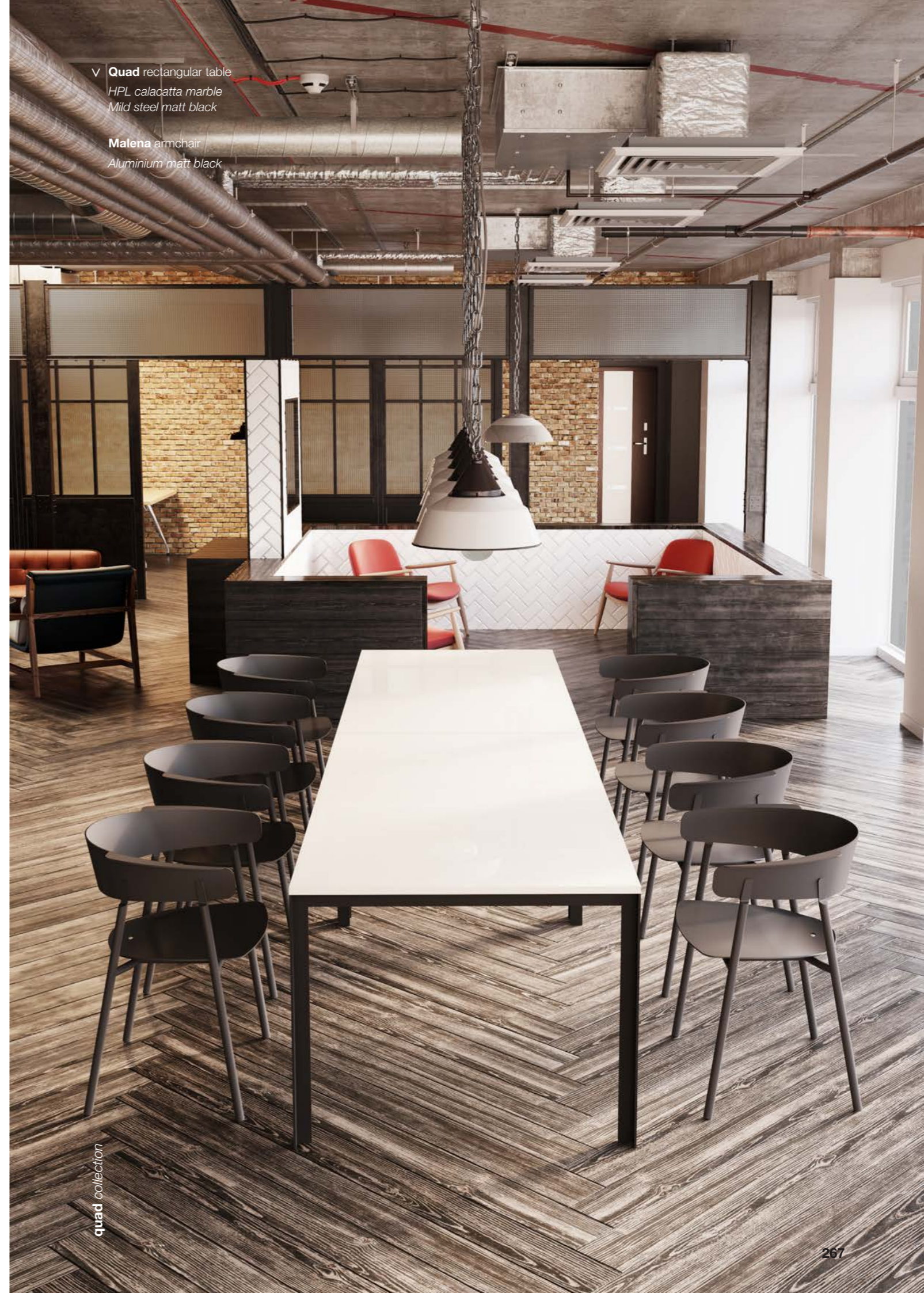
HPL black slate
Mild steel matt black

Bobby chair

Veneer walnut
Mild steel matt black



design Enrique Martí Associates



▼ **Quad** rectangular table
HPL calacatta marble
Mild steel matt black

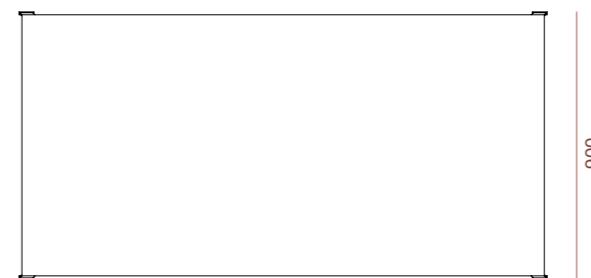
Malena armchair
Aluminium matt black

Quad

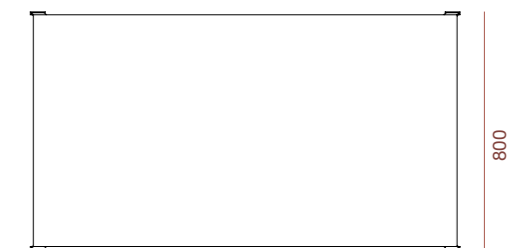
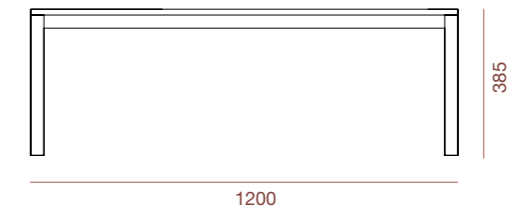


QUAD COLLECTION

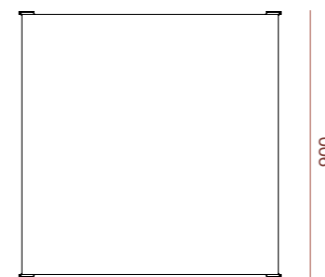
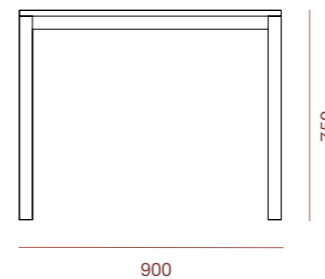
RECTANGULAR TABLE



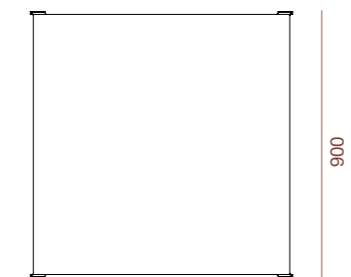
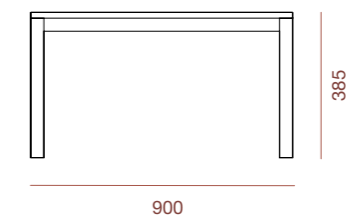
RECTANGULAR CENTRE TABLE



SQUARE TABLE



SQUARE CENTRE TABLE



MATERIAL

Top: HPL, glass, veneer
Legs: Powder coated steel

ACCESSORIES

Comes with plastic gliders



Victoria

Like a multi-talented performer, the customisable Victoria table can serve multiple purposes since the choice of table height and size is wholly up to you. Opt for a rectangular tabletop as a dining table, or a square one for a lamp table or a console table. The rounded corners also make this table a safer option in home and hospitality environments where the presence of young children is a consideration. Tabletop is available as wood veneer or HPL.



design Enrique Martí Associates



✓ **Victoria** rectangular table
Veneer oak natural

Birdie chair
Veneer oak natural
Babel black

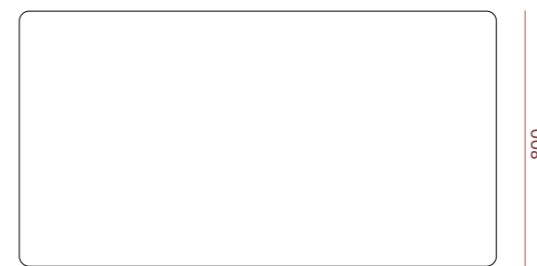
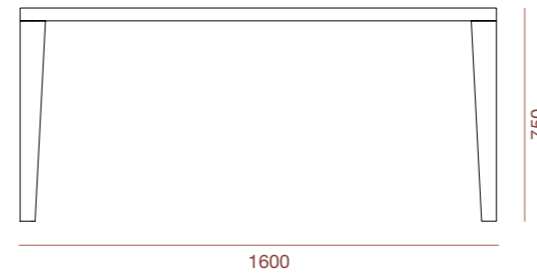


Victoria



VICTORIA COLLECTION

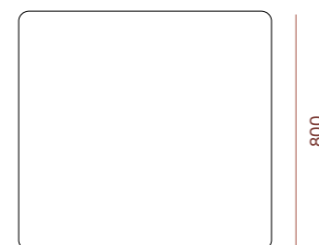
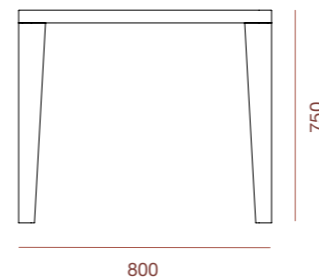
RECTANGULAR TABLE



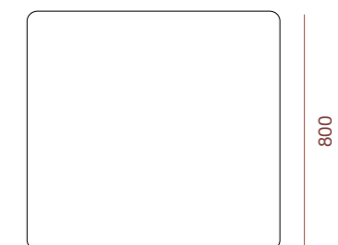
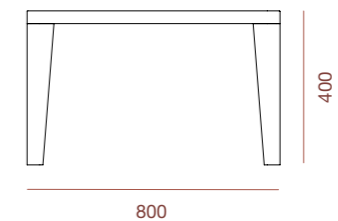
CENTRE RECTANGULAR TABLE



SQUARE TABLE



SQUARE CENTRE TABLE



MATERIAL

Top: Veneer / HPL
Legs: Solid beech, oak, ash

ACCESSORIES

Comes with plastic gliders

Pool

A light and elegant table collection, the Pool is a beautiful reminiscence of the designs from the late 19th century. Slim, sober and well-proportioned, it employs the delicate class of wood and brass cappings to effectively pair itself with almost any chair and environment. The Pool is available in varying shapes and sizes for different occasions, so just choose your preferred option to satisfy your needs and the Pool will always be by your side.

✓ **Tuxedo** armchair

*Babel safira and water green
Oak solid wood natural
Stainless steel hairline gold for the details*

Pool table

Oak solid wood cigar

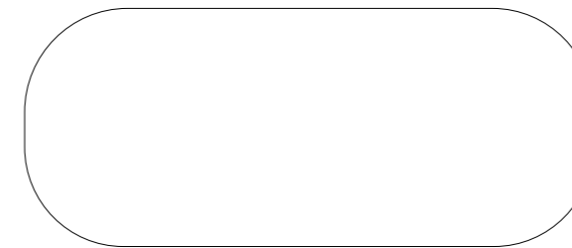
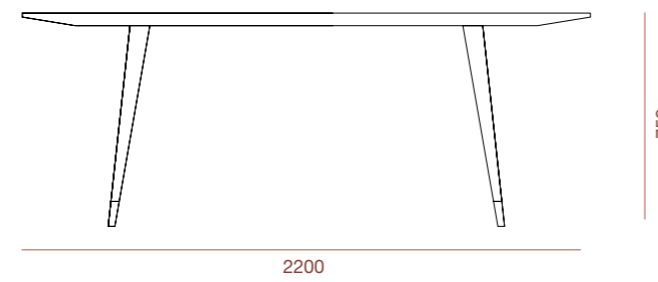
design Enrique Martí Associates

Pool

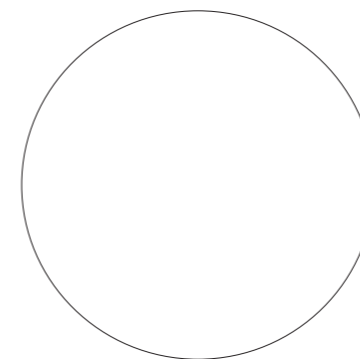
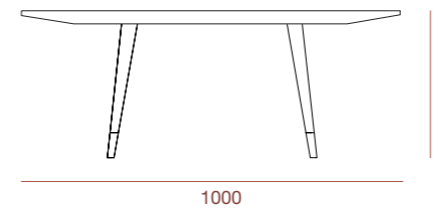


POOL COLLECTION

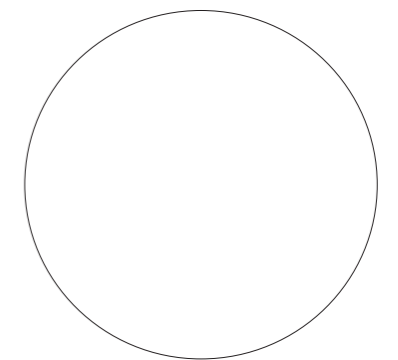
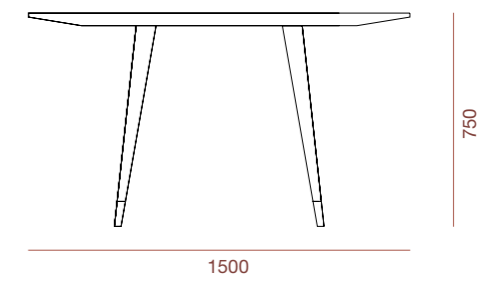
TABLE



ROUND CENTRE TABLE



ROUND TABLE



MATERIAL

Top: Veneer
Legs: Solid ash, walnut

ACCESSORIES

Brass finishing capping



Cut

At first glance, the Cut seems a simple design, but closer inspection reveals a more complicated exercise of abstraction. Starting out with the basic profile of a table, two very different leg and table top proportions were then introduced to interrupt the balance of the design. Adding in a deep cut to each table leg, this changes the look of the Cut when viewed from different angles, giving the silhouette an air of luxury and creativity around it.

✓ **Cut** table
Ash solid wood natural

Nordic armchair
Oak natural
Sunset nata



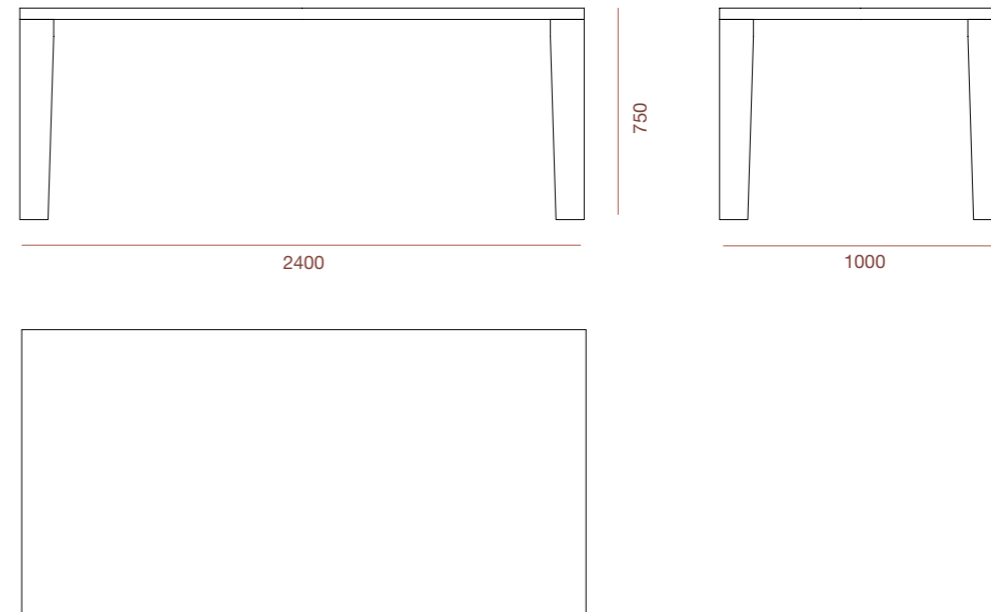
design *Enrique Martí Associates*

Cut



CUT COLLECTION

TABLE



MATERIAL

Top: Oak veneer
Legs: Oak veneer

ACCESSORIES

Comes with plastic gliders

Knots

Drawing inspiration from the age-old Bauhaus school, the Knots is an elegantly simple design that charms you with its geometrical volumes. The table utilises prismatic “boxes” that act as the knots of the structure, as well as an ingenious assembly system, to hide any screws from sight. This gives the knots a clear chameleonic aspect, whether the decadent luxury of its brass version or the modern industrial look of its matt black version. Many kinds of table tops can be paired with the Knots, but the transparent glass top which leaves all the beautiful steel work and luxurious marble uncovered is undoubtedly our favourite.

▼ **Nordic** armchair

Veneer oak smoke
Babel safira

Knots table

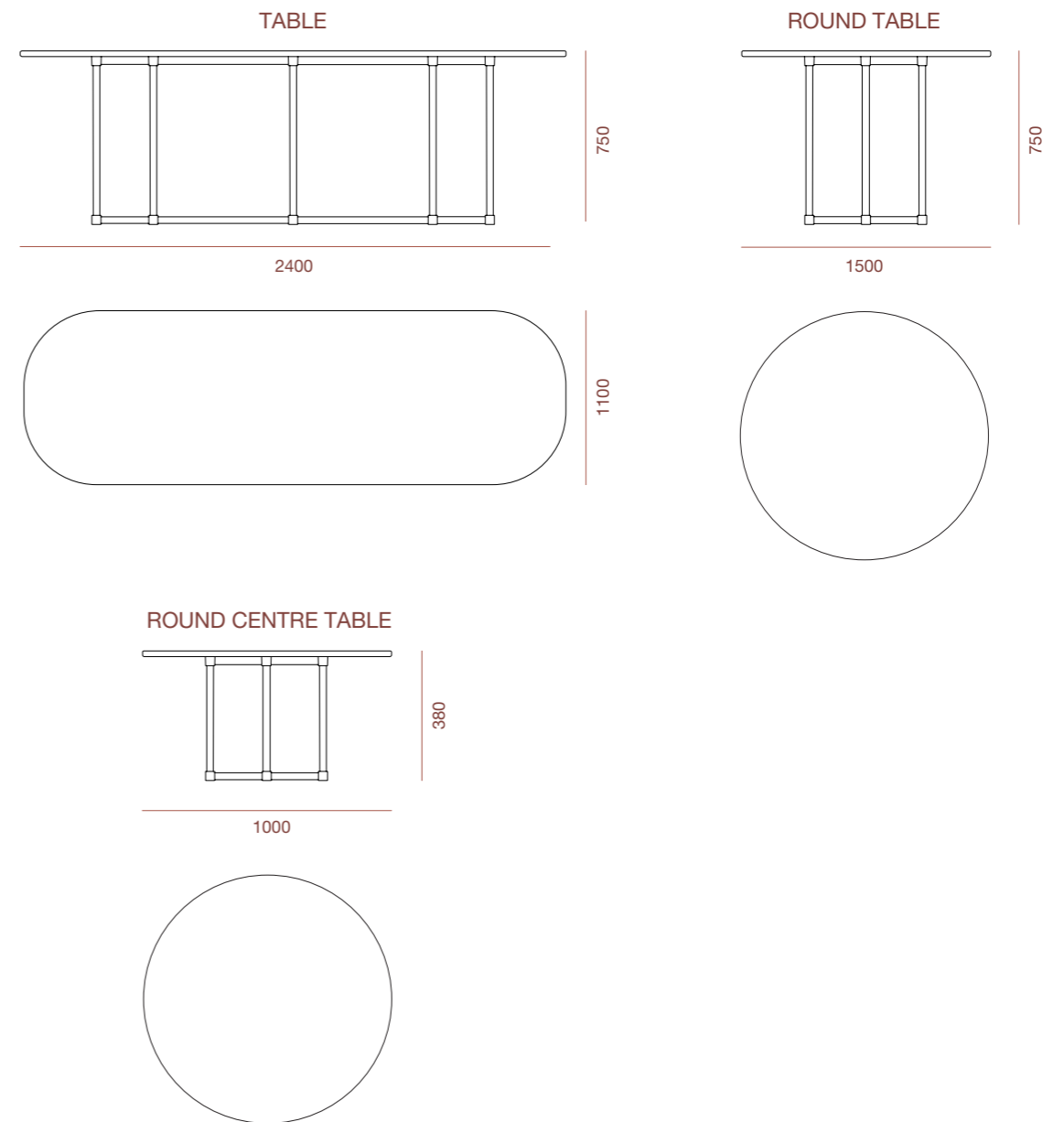
HPL white
Fashion mild steel hairline bronze

design *Enrique Martí Associates*

Knots



KNOTS COLLECTION



MATERIAL

Top: Glass, marble, veneer
Legs: Powder coated steel

ACCESSORIES

Comes with plastic gliders

Daun

The design of this quaint table top was inspired by the shape of a leaf. Hence, the name Daun, meaning leaf in the Malay language. Small and easily manoeuvrable, the Daun is perfect to be paired with sofas in public areas or workspaces. You can even combine two Dauns together to give yourself a conveniently bigger table space. When not in use or the need for more space arises, the Daun can be neatly kept by pushing it into the sofa.

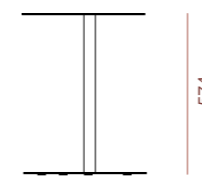
- ▼ **Daun** table
Mild steel matt black
- Scandi** sofa 2-seater
Arizona camel
Mild steel matt black

Daun

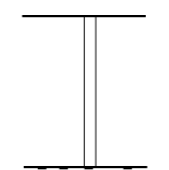


DAUN COLLECTION

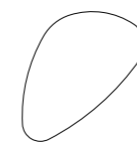
TABLE



574

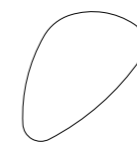


564



538

316



538

316

MATERIAL

Top: Powder coated steel
Legs: Powder coated steel

ACCESSORIES

Comes with plastic gliders

Kumi

Taking the rough industrial look of punched steel sheets and turning it into a delicate and attractive design, the Kumi is a piece of outdoor furniture that adds a touch of refinement to any space. Baring a simple but strong structure that is made of aluminium, the Kumi can be paired with different outdoor table top options to suit your fancy.

- ✓ **Cap stool**
Polyethylene black
- Kumi table**
Aluminium white
HPL natural white oak

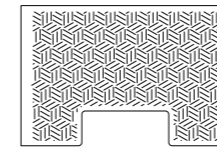
design Enrique Martí Associates

Kumi



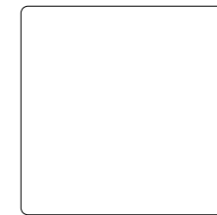
KUMI COLLECTION

SIDE TABLE



400

500



500

MATERIAL

Top: HPL, glass
Legs: Powder coated aluminium

ACCESSORIES

Comes with plastic gliders

Otto

The novel use of a punched aluminium sheet as the stable frame of the Otto's open shelf singles out this table as one that bucks traditional trends. The frame supports a shelf of either webbing or textylene (Batyline). Combined with a choice of compact, veneered, high-pressure laminated or even a glass top, the Otto coffee table is all set to be used both indoors and outdoors.

✓ **Xion** lounge armchair
Sunset camel and toffe
Oak solid wood mocha
Stainless steel hairline gold for the details

Otto coffee table
Veneer oak mocha

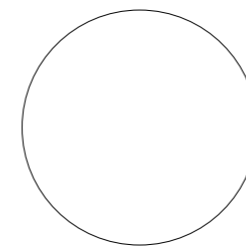
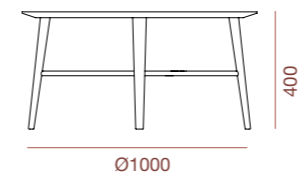
design Enrique Martí Associates

Otto

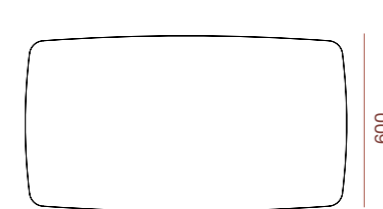
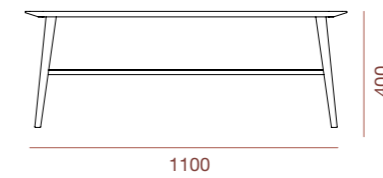


OTTO COLLECTION

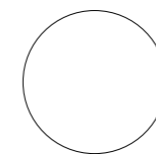
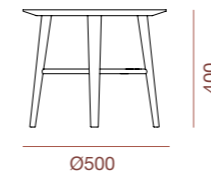
ROUND LARGE SIDE TABLE



COFFEE TABLE



ROUND SIDE TABLE



MATERIAL

Top: Veneer
Legs: Solid beech
*Option of webbing or textylene shelf

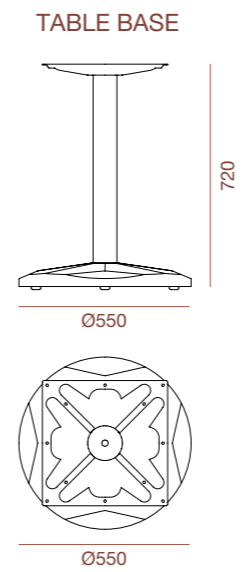
ACCESSORIES

Comes with plastic gliders

Kaleidos



KALEIDOS TABLE BASE



MATERIAL

Base: Powder coated cast iron
Post & Top plate: Powder coated steel

ACCESSORIES

Comes with plastic gliders

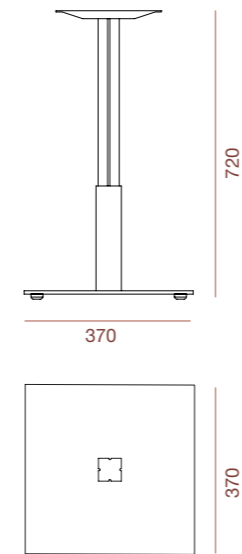
Mizo



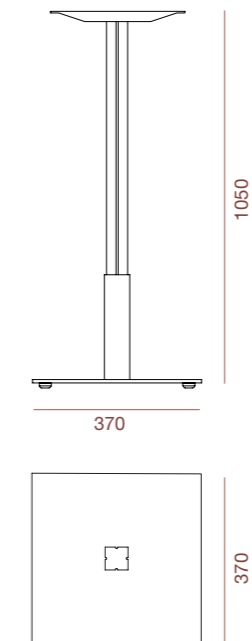
design Danny Fang

MIZO TABLE BASE

TABLE BASE



BAR TABLE BASE



MATERIAL

Powder coated steel

ACCESSORIES

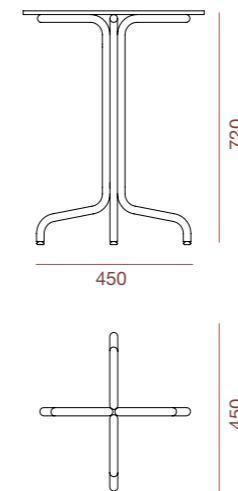
Comes with plastic gliders

T-4

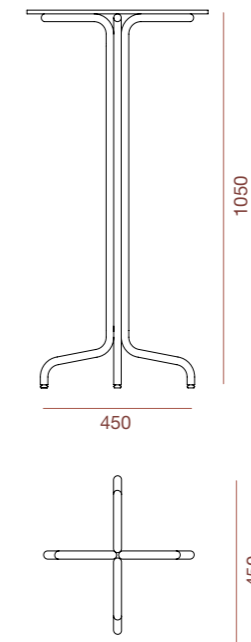


T-4 TABLE BASE

T-4 TABLE BASE



T-4 BAR TABLE BASE



MATERIAL

Powder coated steel

ACCESSORIES

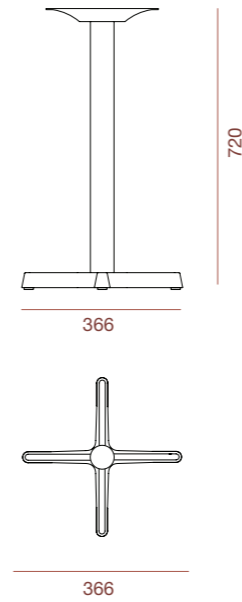
Comes with plastic gliders

Barkas



BARKAS TABLE BASE

SMALL TABLE BASE



SMALL BAR TABLE BASE

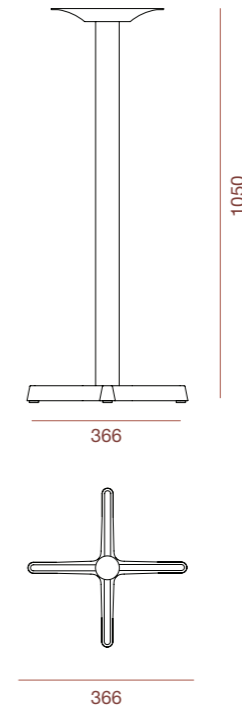
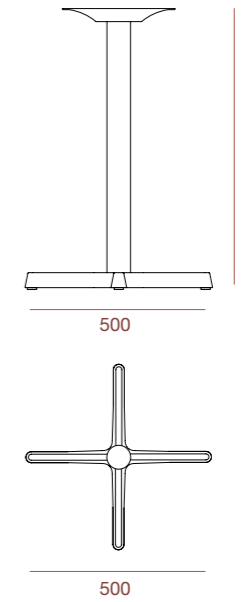
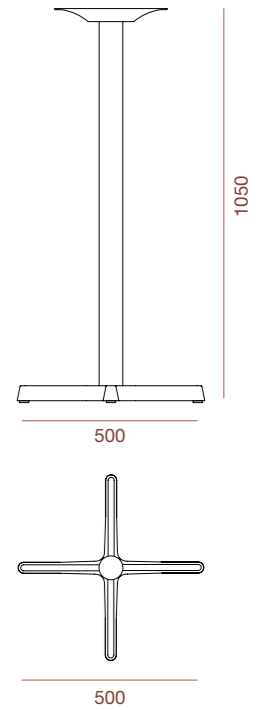


TABLE BASE



BAR TABLE BASE



MATERIAL

Powder coated cast iron base / Powder coated steel post and top plate

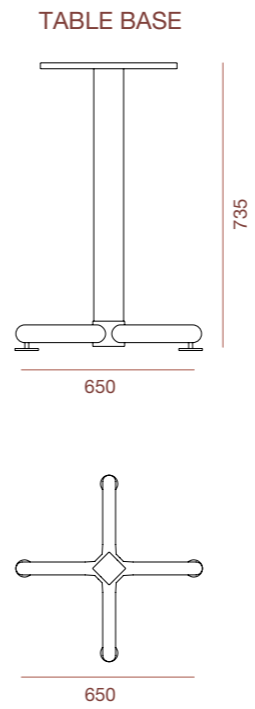
ACCESSORIES

Comes with plastic gliders

Western



WESTERN TABLE BASE



MATERIAL
Base: Powder coated aluminium
Post & top plate: Powder coated steel

ACCESSORIES
Comes with plastic gliders

CATALOGUE 2020

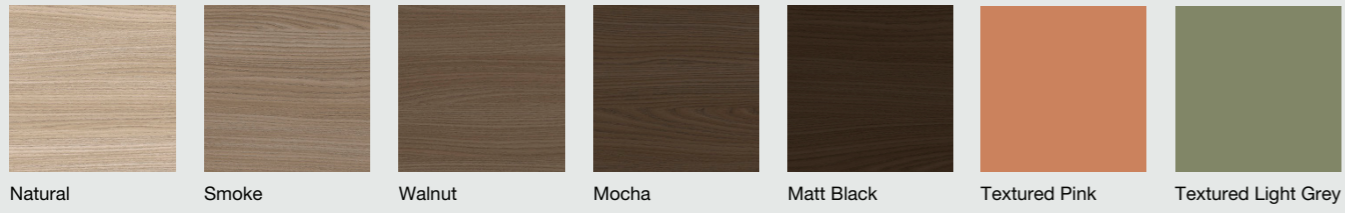
PRODUCTS

		CHAIR	ARMCHAIR	LOUNGE CHAIR	LOUNGE ARMCHAIR	BAR STOOL	COUNTER STOOL	STOOL	LOW STOOL	CAFE CHAIR	STACKABLE	BENCH	SOFA	TABLE	TABLE BASE	OCCASIONAL TABLE	OTHER
		h	A	h	A	n	n	n	n	h	H	A	A	n	I	I	o
OVNI	18	•	•			•	•				•						
ACHILLA	26	•	•			•	•				•						
ZEAT	34	•	•			•	•				•						•
FLOAT	42	•	•	•	•	•		•	•								
BOBBY	52	•				•											
BASKET	60	•				•		•									
ROPE	68	•	•	•	•	•				•	•	•					
BEBO	78		•														
NORDIC	86		•														
FLY	92		•								•						
DANA	98		•														
ASTRAS	104	•	•	•	•												
TRIBUTE	114	•															
BIRDIE	120		•								•						
TUCANA	126	•															
RIVA	132		•														
GRADO	138	•	•			•					•						
120	146	•									•						
LOUVRE	152	•									•						
SPONGE	158	•									•						
MATERA	164		•								•						
MALENA	170		•														
ELI	176	•									•						
CAP	182							•									•
ALBUM	188	•	•	•	•	•						•				•	
TUXEDO	198	•															
PINNA	204		•	•													

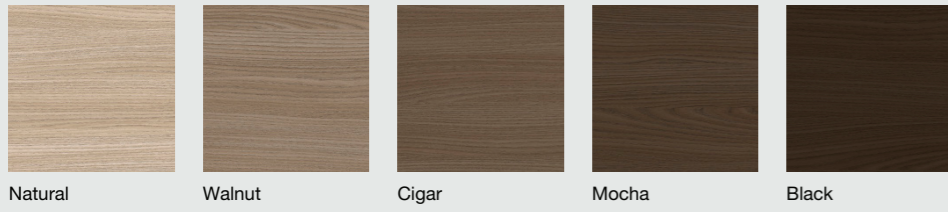
		CHAIR	ARMCHAIR	LOUNGE CHAIR	LOUNGE ARMCHAIR	BAR STOOL	COUNTER STOOL	STOOL	LOW STOOL	CAFE CHAIR	STACKABLE	BENCH	SOFA	TABLE	TABLE BASE	OCCASIONAL TABLE	OTHER
		h	A	h	A	n	n	n	n	h	H	A	A	n	I	I	o
GAJAH	210	•															
XION	216												•				
RHYME	224												•				•
SCANDI	230												•				•
LOFT	234												•				•
NOON	238					•							•				•
MOSAICO	244												•				•
LAI	252												•				•
EBONY	260													•			•
QUAD	264													•			•
VICTORIA	270													•			•
POOL	276													•			•
CUT	280													•			
KNOTS	284													•			
DAUN	288																•
KUMI	292																•
OTTO	296																•
KALEIDOS	300															•	
MIZO	302															•	
T-4	304															•	
BARKAS	306															•	
WESTERN	308															•	

MATERIALS & SWATCHES

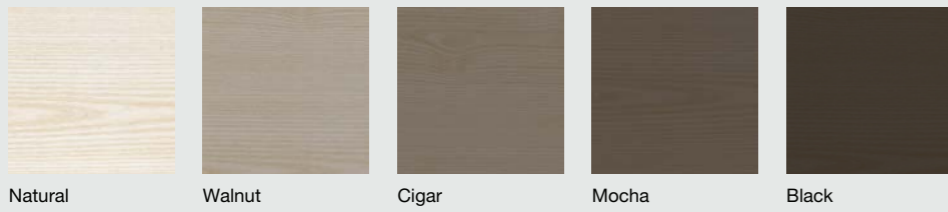
VENEER OAK



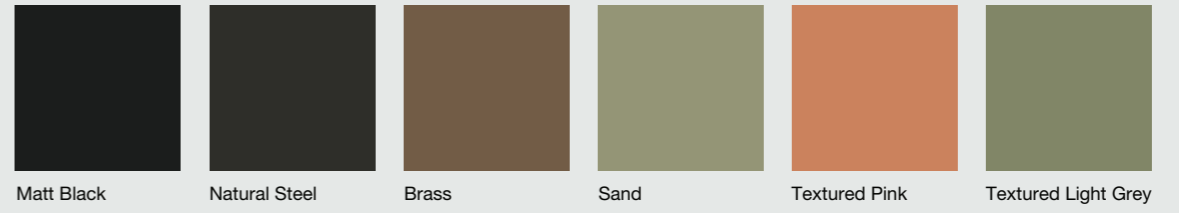
OAK SOLID WOOD



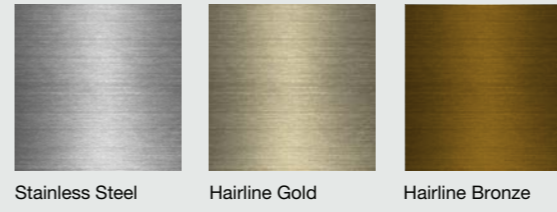
ASH SOLID WOOD



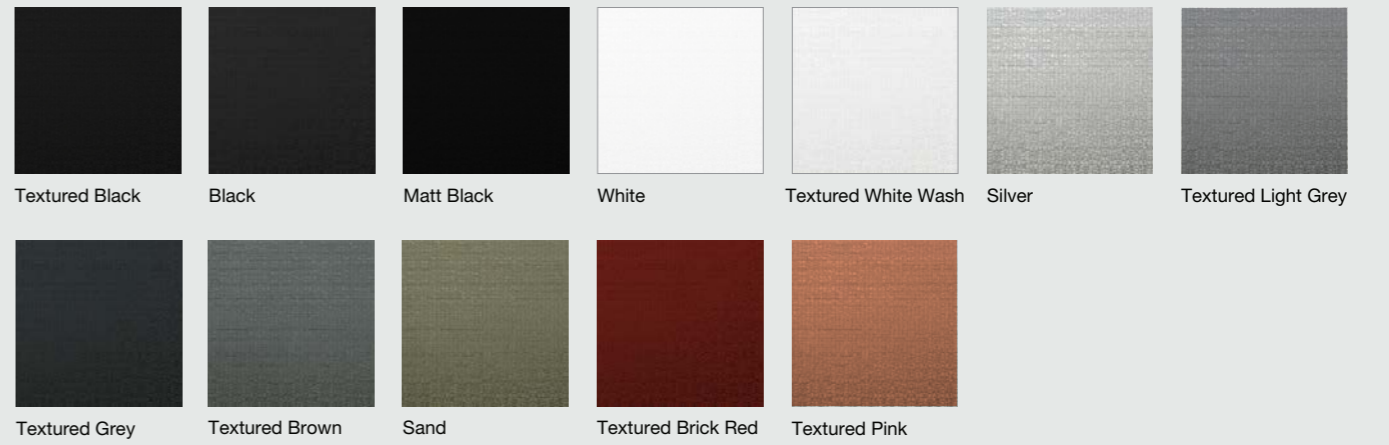
MILD STEEL



STAINLESS STEEL



ALUMINIUM



MATERIALS & SWATCHES

PE WICKER - FLAT



White White Wash Black Espresso Butterscotch Safari Brown Slate Grey



Natural Coffee

PE WICKER - ROUND



Natural Sand Black White

POLYPROPYLENE



Black Slate Grey Sand White Crimson Red



Nude Teal Mustard Yellow Deep Blue Brown

RECYCLED OCEAN-BOUND PLASTIC (OP)



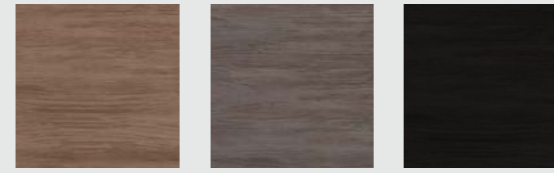
White Sand Scarlet Onyx

POLYETHYLENE



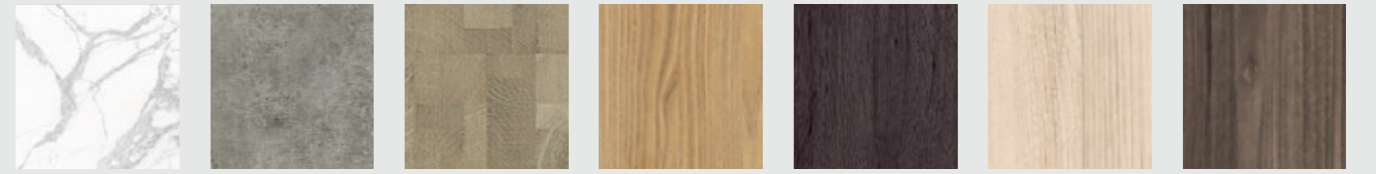
Translucent White White Black Cement Sand Lime Green Denim Blue

ARTWOOD

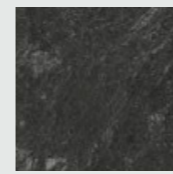


Natural Grey Matt Black

HPL

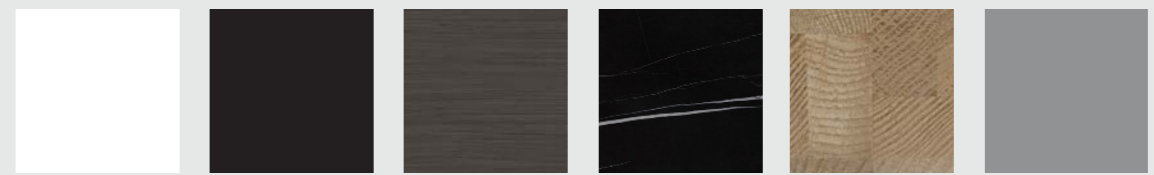


Calacatta Marble Cement Butcher Block Natural Oak Matt Black Natural White Oak Walnut



Black Slate

COMPACT BOARD



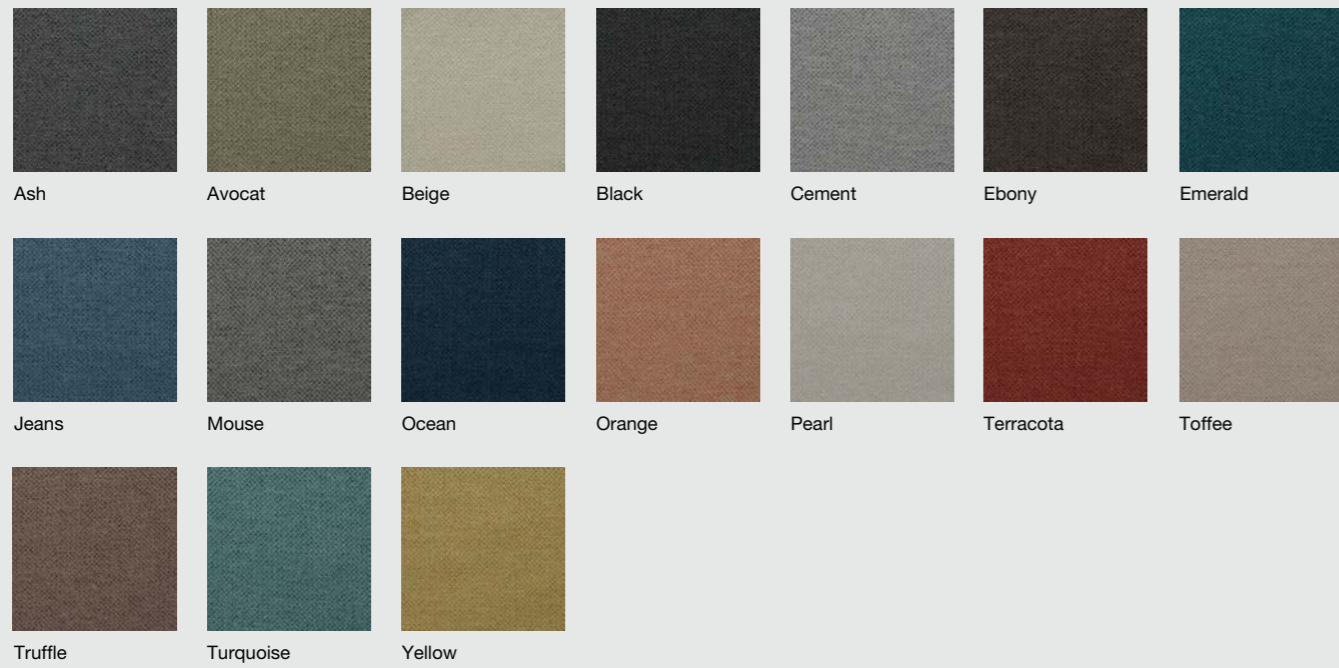
Snow White Black Walnut Black Marquina Butcher Block Grey

KDS - UPHOLSTERY

ARIZONA - GROUP 1



HERITAGE - GROUP 1



KENYA - GROUP 1

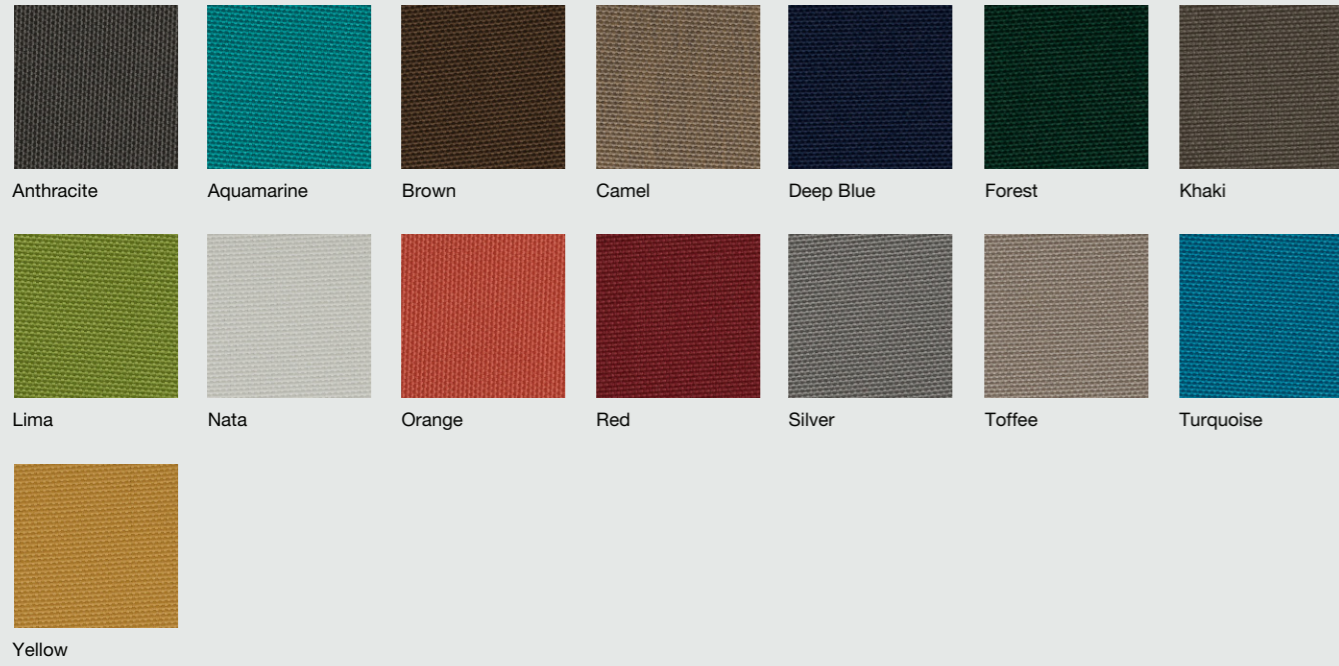


BABEL - GROUP 2



KDS - UPHOLSTERY

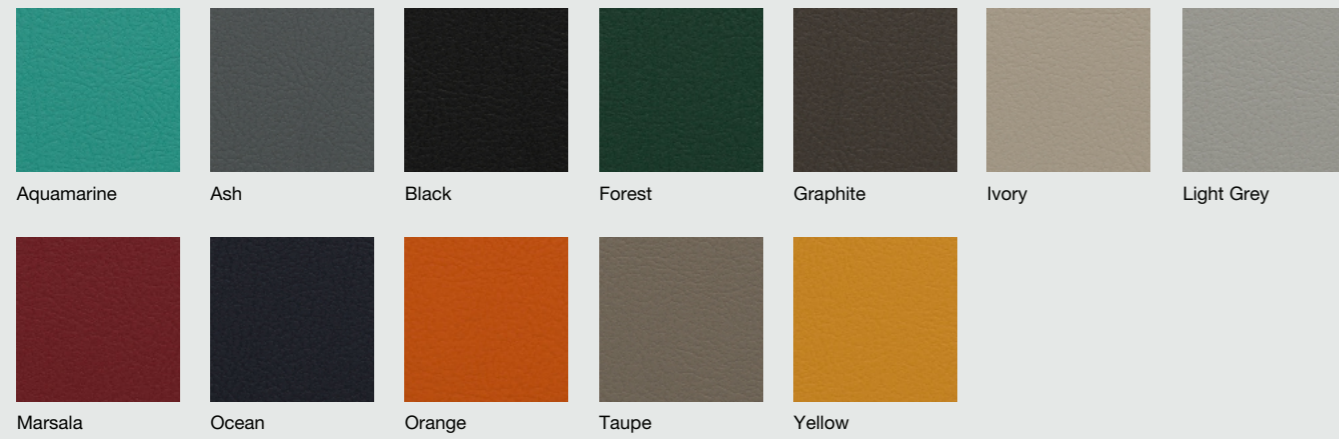
SUNSET - GROUP 2



MONTANA (LEATHER) - GROUP 4



NAPPATEC - GROUP 3

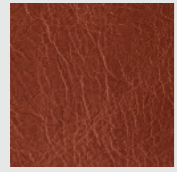


FLORIDA (LEATHER) - GROUP 4

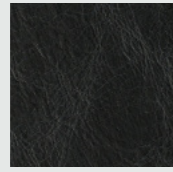


KDS - UPHOLSTERY

COUNTRY (LEATHER) - GROUP 5



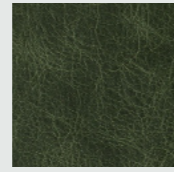
Brandy



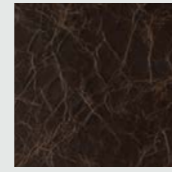
Ebony



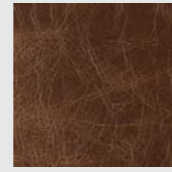
Khaki



Musk

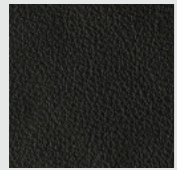


Truffle



Woody

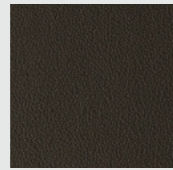
LAGUNA (LEATHER) - GROUP 6



Black



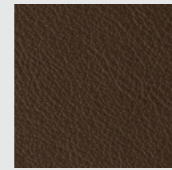
Bosco



Brown



Camel



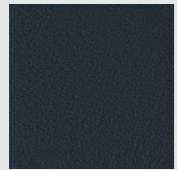
Caribou



Cement



Cognac



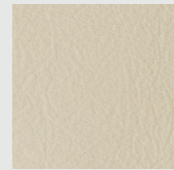
Graphite



Gull



Ice



Ivory



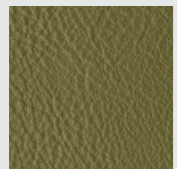
Light Blue



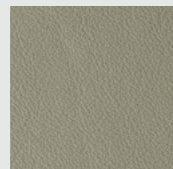
Lion



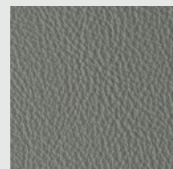
Masai



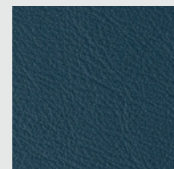
Moss



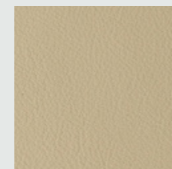
Perla



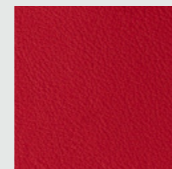
Plaster



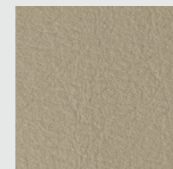
Royal Blue



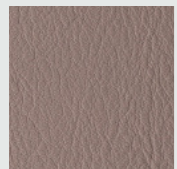
Sand



Santa Claus



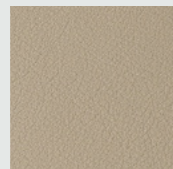
Seapearl



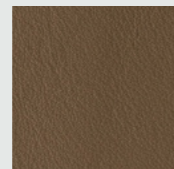
Shadow



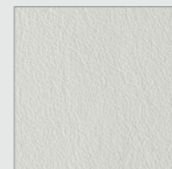
Stone



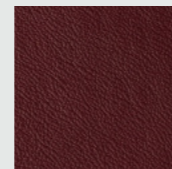
Toffee



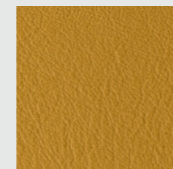
Umber



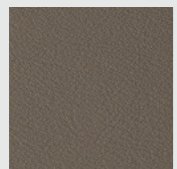
White



Wine



Yam



Laguna Zinc



✉ hello@kian.com

📷 [@kianfurniture](https://www.instagram.com/kianfurniture)

📘 [kianmarketing](https://www.facebook.com/kianmarketing)

KIAN DESIGN STUDIO

ART DIRECTION:

Enrique Martí Associates

DESIGN AND LAYOUT:

Enrique Martí Associates

PHOTOGRAPHS:

E.M.A.

www.kian.com

KDS21.02

All photographs, artist's impressions, plans, measurements, colour representations are intended for illustrative and informative purposes only. They cannot be regarded as representations of fact and are subject to change at any time. Actual finishes and details may vary.

Outdoor furniture refers to furniture that is designed for outdoor use and which is typically made of weather-resistant materials. However, furniture that remains outdoors may not be suitable for the varying humidity conditions, UV penetration, weathering and all other climatic extremes.

No reproduction or republication of this copyrighted catalogue and/or its concept is permitted, whether in whole or in part.

Copyright © 2021 Kian Group of Companies. All Rights Reserved.

Kian[®]

www.kian.com