

WORKSPACE

PRODUCTS, MATERIALS & SWATCHES



Kian[®]

CONTENT

Who We Are 07
Your Benefit 09
Focus Area 13
 Link 13 15
 Ease 21
 Salient Timber 25
 Salient Steel 31
 Keen 37

Training Area 49
Socialization Area 53
Collaboration Area 57
Product Directory 61
Materials & Swatches 105



WHO WE ARE

KIAN is an Intelligent Furniture Solutions Provider with almost 40 years of experience in the furniture industry. As a global market leader which exports to over 100 countries worldwide, we design, manufacture and directly supply to the commercial and residential sectors. KIAN has a worldwide logistics network with storage facilities and skilled local teams to service customers.

As businesses in the 21st century are rapidly evolving, we understand the need to keep up with the ever-shifting trends and concepts. With our latest KIAN Workspace solution, let us help you transform your workspace into an avant-garde business hub of the future. Where style meets function, our modular designs employ the latest in technology and ergonomics to encourage creative collaboration and increase productivity.



YOUR BENEFIT

01 WORKSPACE DESIGN DISRUPTION

Our intent is to disrupt the market with unconventional and unique workspace furniture.

02 UPTREND CONCEPTS

Consult with us and we can furnish your business with the latest workspace trends and concepts.

03 INTELLIGENT SOLUTIONS

We utilise advanced technology and methods to make life easier for our customers.

04 ORIGINAL DESIGN

Our exclusive KIAN original designer furniture satisfies all the crucial aspects that are needed for any business.



05 ONE-STOP SOLUTION

From project management to delivery and installation, we handle it all to get your business up and running.

06 FLEXIBILITY

Whether standard or customised furniture, we have flexible designs that can accommodate to various needs.

07 WARRANTY

All our workspace furniture comes with a 5-year warranty period.

08 PRODUCT USAGE TRAINING

We will provide product usage training to get you familiarised with your new workspace.



FOCUS AREA

The heart of any workspace, focus areas are where staff can fully focus on their tasks at hand to maximise their work potential. To achieve this, the essential furniture characteristics are needed:

- Comfortable and ergonomic features that allow you to focus for long hours.
- Having easy access to your personal belongings, electrical power and information.
- Effortless communication and interaction with colleagues who share the focus area.



LINK 13 COLLECTION

Simplicity in its most elegant form, the Link 13 is a fully aluminium set that exudes a classic and timeless outlook. With durability as its strongest feature, the Link 13 has clean configurations and comes with a fully closed and integrated wire management system. It also allows for accessible storage space that can be added on to complement the set.







Link 13 - Manager Desk



Link 13 + ConV Slide 19



EASE COLLECTION

For the technologically savvy, the Ease is our ideal solution for incorporating health and technology into the workspace. The set allows for flexible working with height-adjustable tables that eases the user from a sitting to standing position, which also has a positive impact on posture and health. The Ease comes with a neat wire management system and is perfect for multiple types of work.







SALIENT TIMBER COLLECTION

Return to nature with the Salient Timber Collection's harmonious combination of wood, steel and earthy colours. This set softens any setting with its Biophilic design, introducing a sense of comfort and homeliness to the workspace. This collection is easy to assemble and comes with an integrated wire management system.







Salient Timber Collection - Discussion Table



Salient Timber Collection - Manager Desk 29



SALIENT STEEL COLLECTION

Liven up the atmosphere and bring an element of fun to the workspace with the two-tone look of the Salient Steel Collection. This modern design lets you choose from a variety of colour options to match the mood and environment of your business. This collection is easy to assemble and comes with an integrated wire management system.







Salient Steel Collection - Manager Desk



KEEN COLLECTION

A clean and sharp design for those who are keen on completing their tasks with precision. The Keen utilises an easy to assemble setup with a sturdy steel structure and features a fully integrated wire management system. Pair the set with additional storage facilities to keep the workspace organised.







Keen Manager Desk

THE POSSIBILITIES ARE ENDLESS



01

03

02

01 EXECUTIVE OFFICE

Link 13 - Manager Desk
+
Cobo High Back Chair

02 OPEN OFFICE

Keen Workstation
+
Cobo Medium Back Chair
+
ConV One
+
ConV Access

03 DISCUSSION AREA

CoPod
(Mobile Collaboration Pod)



04 EXECUTIVE OFFICE

Salient Timber - Manager Desk
+
Cobo High Back Chair
+
Rope Arm Chair

05 CABIN OFFICE

Keen Workstation
+
ConV One (Mobile Personal Storage)
+
Cobo Medium Back Chair

06 CONFERENCE ROOM

Salient Steel -
Conference Table
+
Cobo Medium Back Chair



07 CONFERENCE AREA

Link 13 - Conference Table
+
Zeat Chair

08 OPEN OFFICE

Salient Steel Workstation
+
Cobo Medium Back Chair

09 DISCUSSION AREA

Mobi
(Mobile Whiteboard Storage)

10 OPEN OFFICE

Ease Workstation
+
Cobo Medium Back Chair



TRAINING AREA

Staff training and education are important for the growth of any company. The purpose of training areas is to create a conducive learning environment for staff to slowly develop the necessary skills and knowledge. As trainings may take long hours, ergonomic furniture is vital to ensure good focus and healthy posture as extended sitting periods may adversely affect the body.

When the training area is not in use, it is also beneficial to have mobile, foldable and stackable furniture to save space and keep the area organised for other purposes.

THE POSSIBILITIES ARE ENDLESS



01



02



03



04



05

06

- 01 Moby Pneumatic Height Adjustable Table
- 02 Iggy Folding Table
- 03 Selena Chair
- 04 Mag Folding Table
- 05 T-Chair
- 06 Stabilla Sigma Table



COLLABORATION AREA

Even the smallest of ideas can turn into big successes. Collaboration areas are casual, but highly functional spaces where people convene to bring these ideas to fruition. For that to happen, modular and versatile furniture is of the utmost importance.

With fluid rearrangement, the right furniture placement can easily create an open and relaxed atmosphere that brings out creativity and allows for unrestricted brainstorming and communication.

THE POSSIBILITIES ARE ENDLESS



- 01** Roche Stool
- 02** Mobi (Mobile Whiteboard Storage)
- 03** Onoto Stool
- 04** Ovni Arm Chair
- 05** Stabilla Sigma Table
- 06** Buona Chair

- 07** Torii High Table
- 08** Zeat Bar Stool
- 09** CoPod (Collaboration Pod)
- 10** Pent Modular Bench
- 11** Logic Coffee Table



SOCIALISATION AREA

Amid stressful workhours and deadlines, taking breaks are just as important for productivity and wellness. In socialisation areas, comfortable and cosy furniture introduces a feeling hominess to the workspace.

This is where staff can take quick breathers to rest and recuperate, or if preferred, engage in informal conversation with colleagues to strengthen bonds and build meaningful relationships.

THE POSSIBILITIES ARE ENDLESS



- 01** Major Coffee table
- 02** Mosaico Modular Bench
- 03** Pent Modular Bench
- 04** Dumalis Hexagon Coffee Table
- 05** Vene Bartable
- 06** CoPod (Collaboration Pod)
- 07** Lexi Table

- 08** Eli Chair
- 09** Ovni barstool
- 10** Bond Lounge Sofa
- 11** Miya Bench
- 12** Pinna Lounge Chair
- 13** Royal Side Table
- 14** Gajah Lounge Chair



**PRODUCT
DIRECTORY**

LINK 13



DESCRIPTION

- High-end system with robust construction
- Fully aluminium structure
- Fully closed metal wire riser & wire management
- Upholstered screen with aluminium frame
- Power solutions: on-desk sockets / wooden flipper / grommet

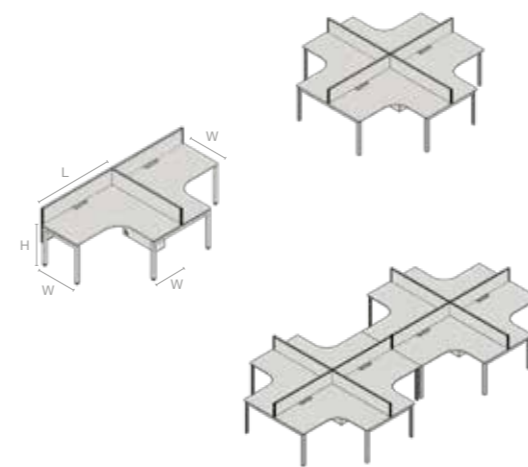
FINISHING

- Structure: epoxy powder coated
- Screen: fabric upholstery with inner foam & epoxy frame
- Worktop: MFC / HPL



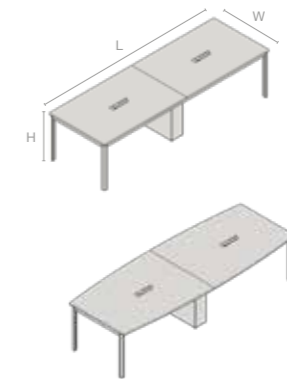
LINEAR SIDE-BY-SIDE (1-PAX, 2-PAX & 3-PAX)

W : 600, 750, 800 (mm)
L : 1000, 1200, 1500, 1800 (mm)
H : 750 (mm)



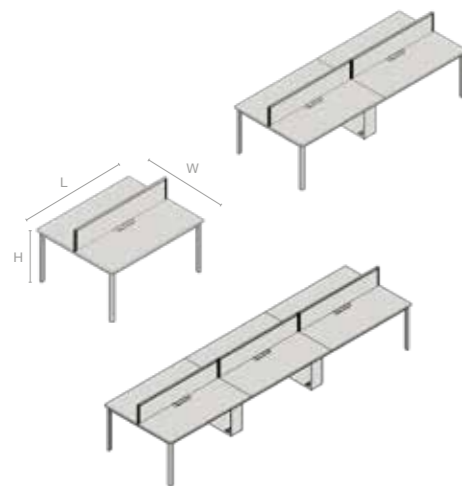
L-SHAPED (2-PAX, 4-PAX & 8-PAX)

W : 600, 750 (mm)
L : 1200, 1500, 1800 (mm)
H : 750 (mm)



CONFERENCE TABLE (RECTANGULAR & BOAT-SHAPE)

W : 900, 1000, 1200 (mm)
L : 2400, 3000, 3600, 4000 (mm)
H : 750 (mm)



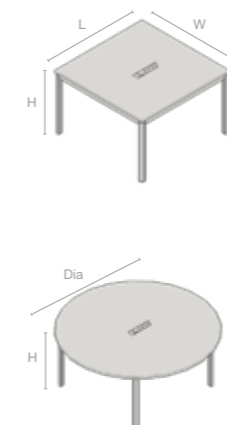
LINEAR FACE-TO-FACE (2-PAX, 4-PAX & 6-PAX)

W : 1200, 1500, 1600 (mm)
L : 1000, 1200, 1500, 1800 (mm)
H : 750 (mm)



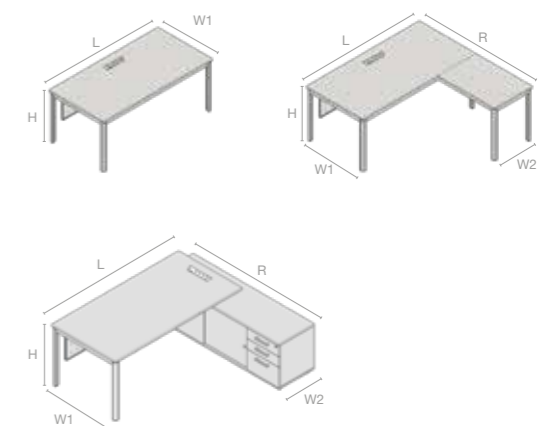
120 DEGREE (3-PAX & 6-PAX)

W : 1200, 1500, 1600 (mm)
L : 1200, 1500 (mm)
H : 750 (mm)



DISCUSSION TABLE (SQUARE & ROUND SHAPE)

W : 800, 900, 1000, 1200 (mm)
L : 800, 900, 1000, 1200, 1500,
1800, 2000, 2400 (mm)
Dia : 900, 1000, 1200, 1500 (mm)
H : 750 (mm)



MANAGER DESK (SINGLE, L-SHAPE & SIT-ON CABINET)

W1 : 800, 900 (mm)
W2 : 600 (mm)
L : 1500, 1800, 2000 (mm)
R : 1500, 1800, 2000 (mm)
H : 750 (mm)

EASE

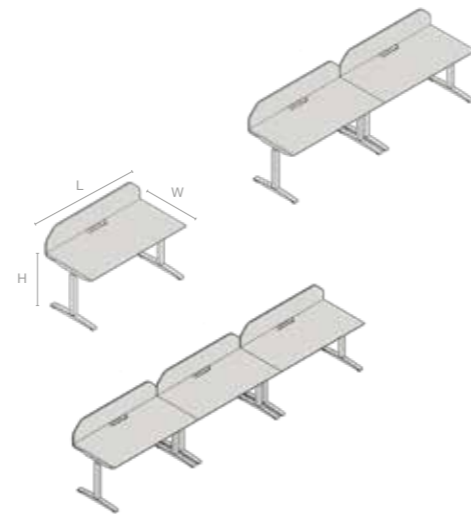


DESCRIPTION

- High technology system for the modern office
- Dual motor & dual column sit-to-stand system
- Automatic controller with a display and 4-memory setting
- Aluminium & metal structure
- Fully closed metal wire riser & wire management
- Flexible & vertical fabric cable chute / plastic umbilical
- Upholstered frameless screen with rounded & angled corners
- Power solutions: on-desk sockets / wooden flipper / grommet

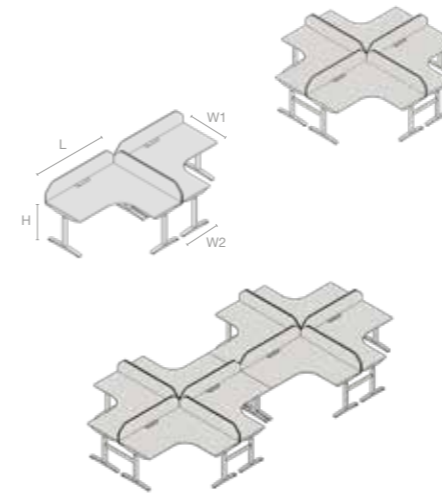
FINISHING

- Structure: epoxy powder coated
- Screen: fabric upholstery with inner foam & rubber edging
- Worktop: MFC / HPL



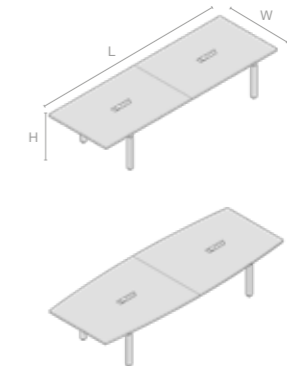
LINEAR SIDE-BY-SIDE (1-PAX, 2-PAX & 3-PAX)

W : 700, 750, 800 (mm)
L : 1200, 1500, 1800 (mm)
H : 700-1130 (mm)



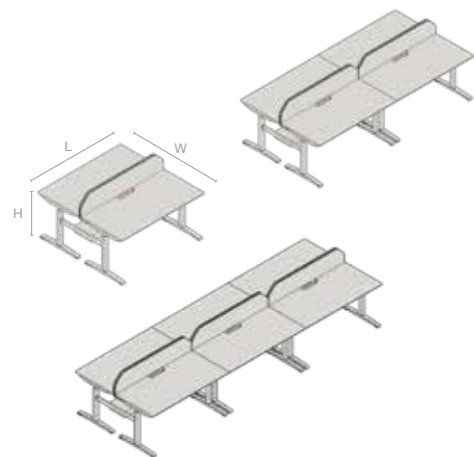
L-SHAPED (2-PAX, 4-PAX & 8-PAX)

W1 : 700, 800 (mm)
W2 : 650, 750 (mm)
L : 1500, 1800 (mm)
H : 700-1130 (mm)



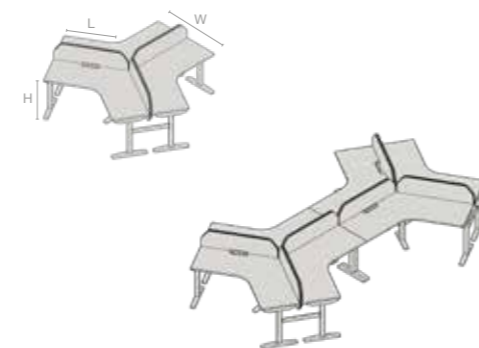
CONFERENCE TABLE (RECTANGULAR & BOAT-SHAPE)

W : 900, 1000, 1200 (mm)
L : 1800, 2000, 2400 (mm)
H : 700-1120 (mm)



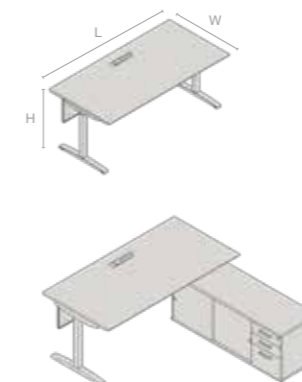
LINEAR FACE-TO-FACE (1-PAX, 2-PAX & 3-PAX)

W : 1500, 1600 (mm)
L : 1200, 1500, 1800 (mm)
H : 700-1130 (mm)



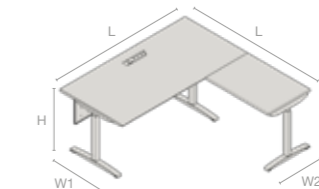
120 DEGREE (3-PAX & 6-PAX)

W : 650 (mm)
L : 1200, 1500 (mm)
H : 700-1130 (mm)



MANAGER DESK (SINGLE & SIT-ON CABINET)

W : 700, 750, 800 (mm)
L : 1200, 1500, 1800 (mm)
H : 700-1130 (mm)



MANAGER DESK (L-SHAPE)

W1 : 700, 800 (mm)
W2 : 650, 750 (mm)
L : 1500, 1800 (mm)
H : 700-1130 (mm)

SALIENT

TIMBER COLLECTION

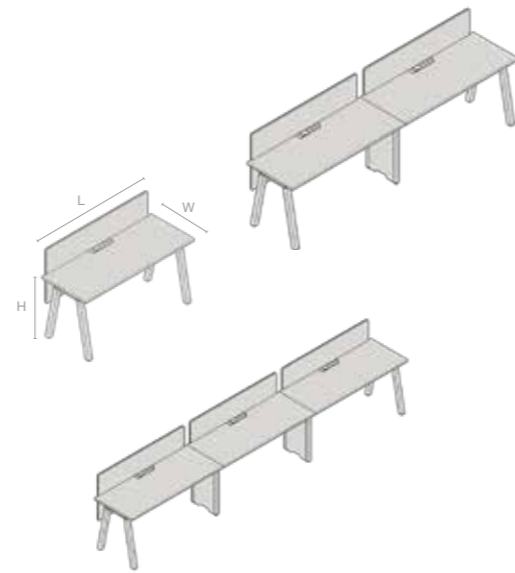


DESCRIPTION

- Modern and timeless design
- Fully metal structure
- Table legs come in solid timber
- Fully integrated metal wire riser & wire management
- Metal wire riser cover comes with timber or steel options
- Easy to assemble connection system with minimal parts
- Upholstered frameless screen with rounded corners
- Power solutions: on-desk sockets / wooden flipper / grommet

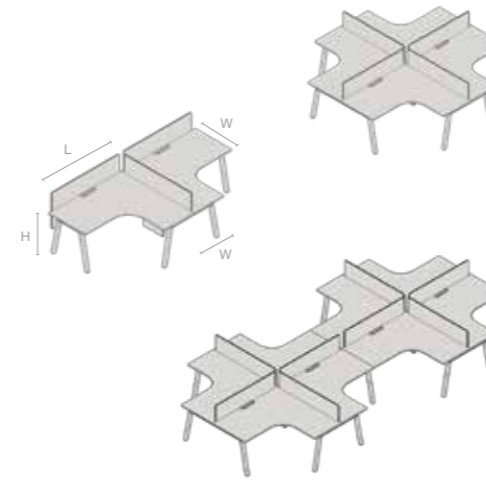
FINISHING

- Structure: epoxy powder coated / solid timber
- Screen: fabric upholstery with inner foam & rubber edging
- Worktop: MFC / HPL



LINEAR SIDE-BY-SIDE (1-PAX, 2-PAX & 3-PAX)

W : 600, 750, 800 (mm)
L : 1000, 1200, 1500, 1800 (mm)
H : 750 (mm)



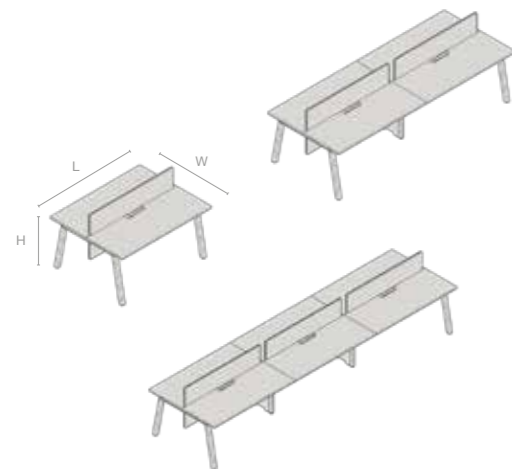
L-SHAPED (2-PAX, 4-PAX & 8-PAX)

W : 600, 750 (mm)
L : 1200, 1500, 1800 (mm)
H : 750 (mm)



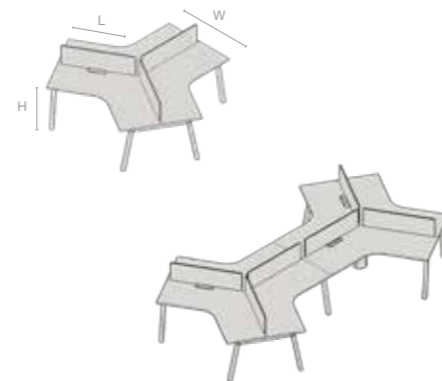
CONFERENCE TABLE (RECTANGULAR & BOAT-SHAPE)

W : 900, 1000, 1200 (mm)
L : 2400, 3000, 3600, 4000 (mm)
H : 750 (mm)



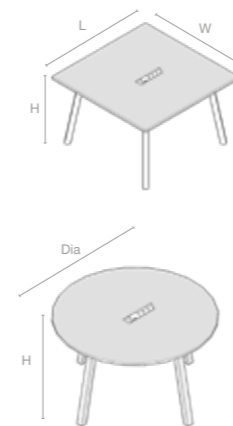
LINEAR FACE-TO-FACE (2-PAX, 4-PAX & 6-PAX)

W : 1200, 1500, 1600 (mm)
L : 1000, 1200, 1500, 1800 (mm)
H : 750 (mm)



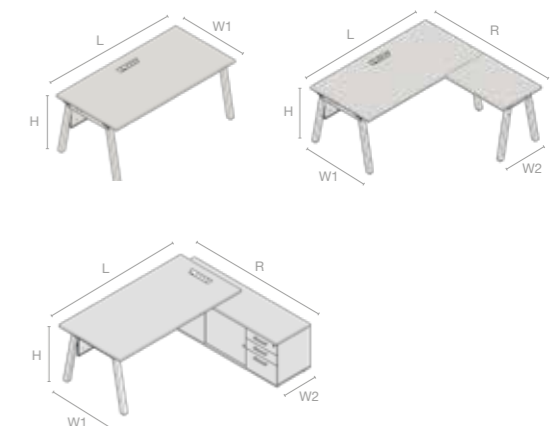
120 DEGREE (3-PAX & 6-PAX)

W : 1200, 1500, 1600 (mm)
L : 1200, 1500 (mm)
H : 750 (mm)



DISCUSSION TABLE (SQUARE & ROUND SHAPE)

W : 800, 900, 1000, 1200 (mm)
L : 800, 900, 1000, 1200, 1500, 1800, 2000, 2400 (mm)
Dia : 900, 1000, 1200, 1500 (mm)
H : 750 (mm)



MANAGER DESK (SINGLE, L-SHAPE & SIT-ON CABINET)

W1 : 800, 900 (mm)
W2 : 600 (mm)
L : 1500, 1800, 2000 (mm)
R : 1500, 1800, 2000 (mm)
H : 750 (mm)

SALIENT

STEEL COLLECTION

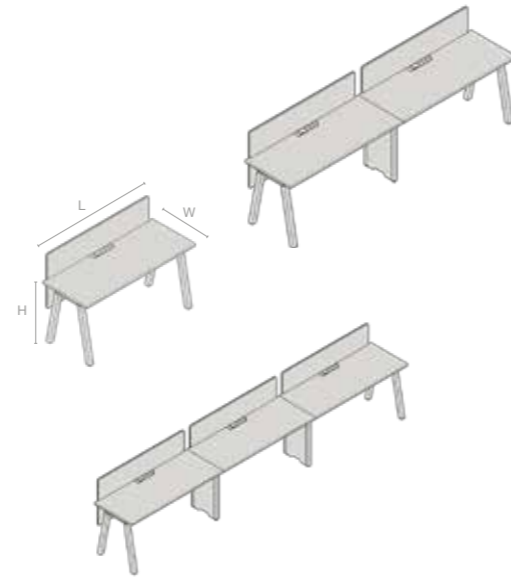


DESCRIPTION

- Modern and timeless design
- Fully metal structure
- Metal wire riser & wire management
- Easy to assemble connection system with minimal parts
- Upholstered frameless screen with rounded corners
- Power solutions: on-desk sockets / wooden flipper / grommet

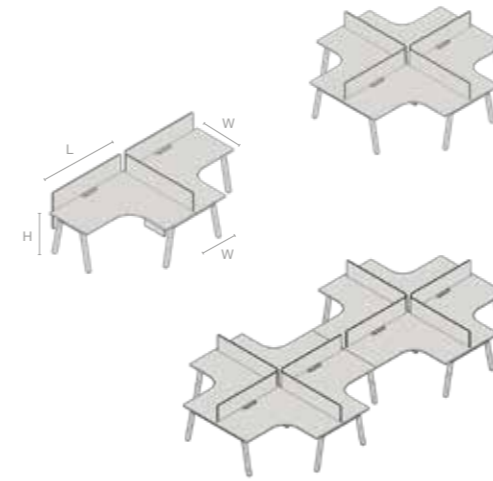
FINISHING

- Structure: epoxy powder coated
- Screen: fabric upholstery with inner foam & rubber edging
- Worktop: MFC / HPL



LINEAR SIDE-BY-SIDE (1-PAX, 2-PAX & 3-PAX)

W : 600, 750, 800 (mm)
L : 1000, 1200, 1500, 1800 (mm)
H : 750 (mm)



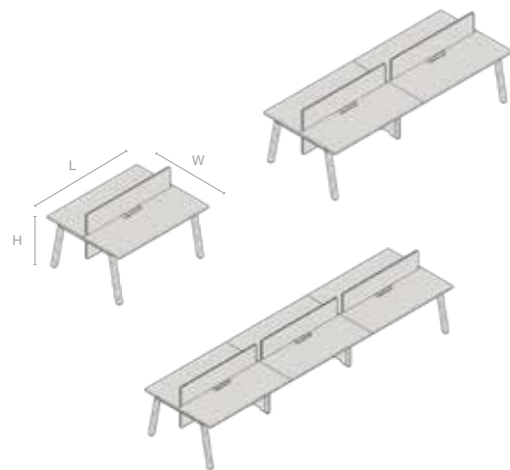
L-SHAPED (2-PAX, 4-PAX & 8-PAX)

W : 600, 750 (mm)
L : 1200, 1500, 1800 (mm)
H : 750 (mm)



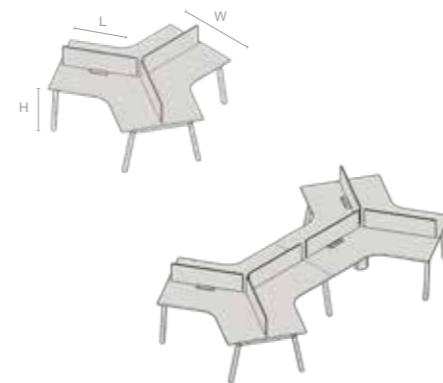
CONFERENCE TABLE (RECTANGULAR & BOAT-SHAPE)

W : 900, 1000, 1200 (mm)
L : 2400, 3000, 3600, 4000 (mm)
H : 750 (mm)



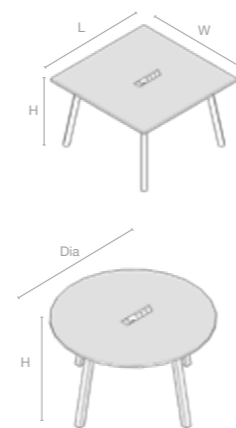
LINEAR FACE-TO-FACE (2-PAX, 4-PAX & 6-PAX)

W : 1200, 1500, 1600 (mm)
L : 1000, 1200, 1500, 1800 (mm)
H : 750 (mm)



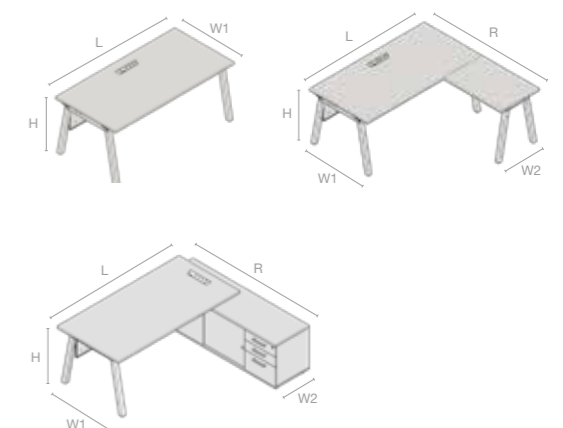
120 DEGREE (3-PAX & 6-PAX)

W : 1200, 1500, 1600 (mm)
L : 1200, 1500 (mm)
H : 750 (mm)



DISCUSSION TABLE (SQUARE & ROUND SHAPE)

W : 800, 900, 1000, 1200 (mm)
L : 800, 900, 1000, 1200, 1500, 1800, 2000, 2400 (mm)
Dia : 900, 1000, 1200, 1500 (mm)
H : 750 (mm)



MANAGER DESK (SINGLE, L-SHAPE & SIT-ON CABINET)

W1 : 800, 900 (mm)
W2 : 600 (mm)
L : 1500, 1800, 2000 (mm)
R : 1500, 1800, 2000 (mm)
H : 750 (mm)

KEEN

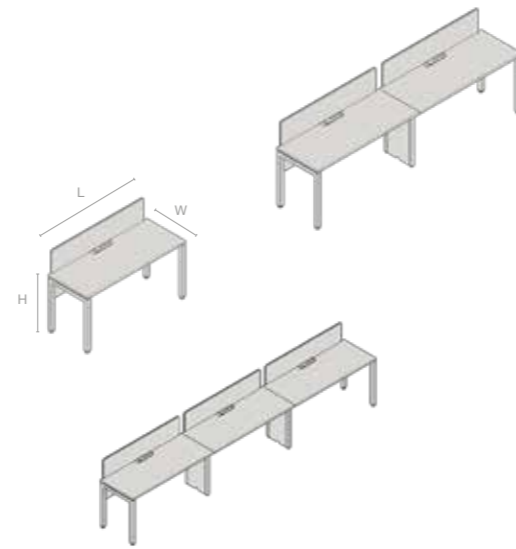


DESCRIPTION

- High-end system with robust construction
- Fully metal structure
- Fully integrated metal wire riser & wire management
- Upholstered frameless screen with rounded corners
- Power solutions: on-desk sockets / wooden flipper / grommet

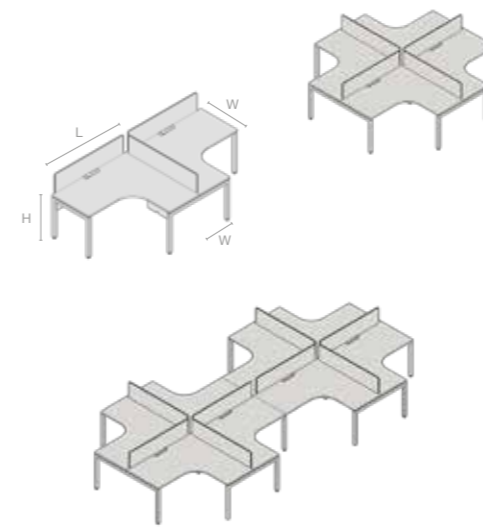
FINISHING

- Structure: epoxy powder coated
- Screen: fabric upholstery with inner foam & rubber edging
- Worktop: MFC / HPL



LINEAR SIDE-BY-SIDE (1-PAX, 2-PAX & 3-PAX)

W : 600, 750, 800 (mm)
L : 1000, 1200, 1500, 1800 (mm)
H : 750 (mm)



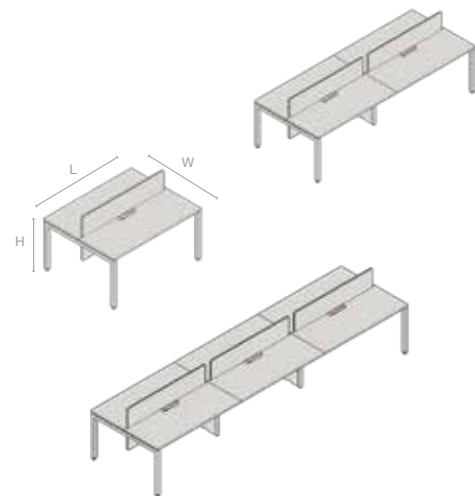
L-SHAPED (2-PAX, 4-PAX & 8-PAX)

W : 600, 750 (mm)
L : 1200, 1500, 1800 (mm)
H : 750 (mm)



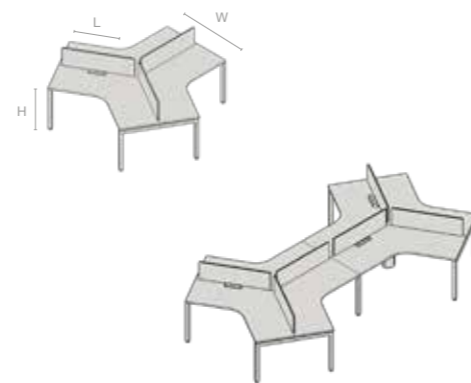
CONFERENCE TABLE (RECTANGULAR & BOAT-SHAPE)

W : 900, 1000, 1200 (mm)
L : 2400, 3000, 3600, 4000 (mm)
H : 750 (mm)



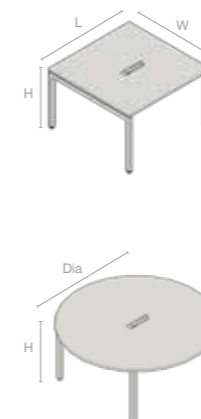
LINEAR FACE-TO-FACE (2-PAX, 4-PAX & 6-PAX)

W : 1200, 1500, 1600 (mm)
L : 1000, 1200, 1500, 1800 (mm)
H : 750 (mm)



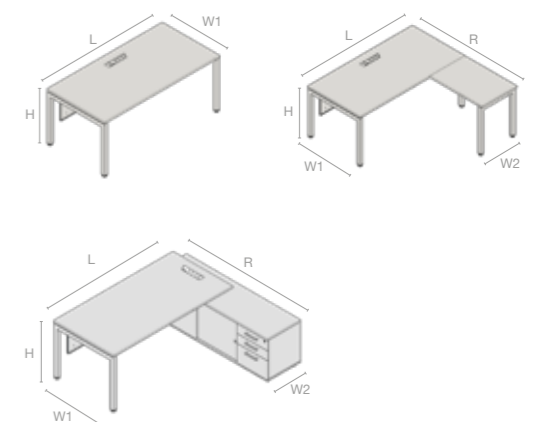
120 DEGREE (3-PAX & 6-PAX)

W : 1200, 1500, 1600 (mm)
L : 1200, 1500 (mm)
H : 750 (mm)



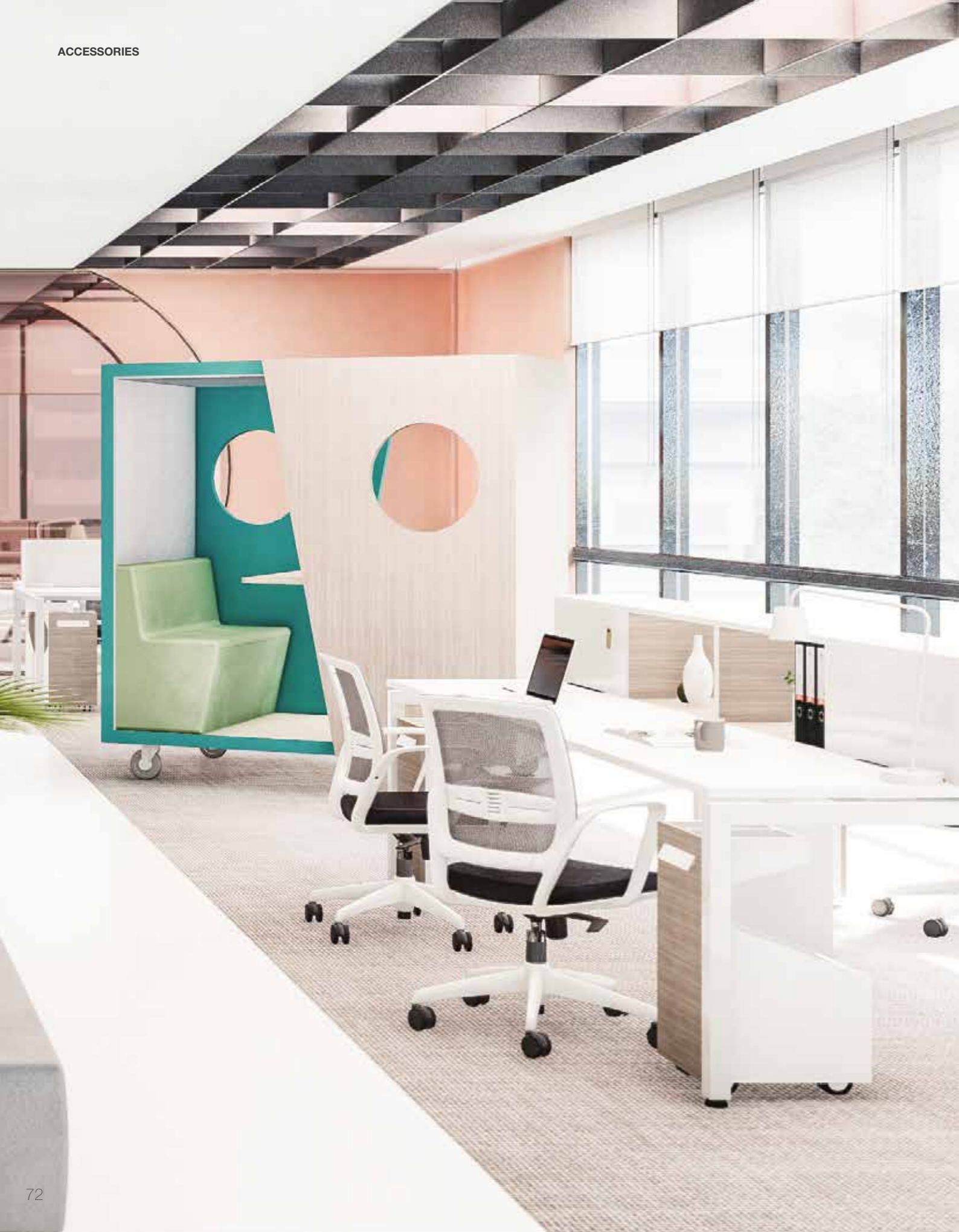
DISCUSSION TABLE (SQUARE & ROUND SHAPE)

W : 800, 900, 1000, 1200 (mm)
L : 800, 900, 1000, 1200, 1500,
1800, 2000, 2400 (mm)
Dia : 900, 1000, 1200, 1500 (mm)
H : 750 (mm)



MANAGER DESK (SINGLE, L-SHAPE & SIT-ON CABINET)

W1 : 800, 900 (mm)
W2 : 600 (mm)
L : 1500, 1800, 2000 (mm)
R : 1500, 1800, 2000 (mm)
H : 750 (mm)



CoPoD



MEASUREMENT

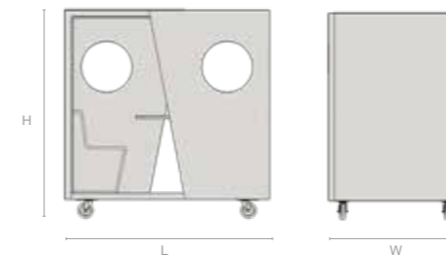
L1800 x W1150 x H2000mm

DESCRIPTION

- A comfortable & private space for discussions
- Mobile with heavy duty lockable swivel casters
- Fits up to 4 persons
- Integrated power point with USB port
- Comes with LED surface light
- Fully upholstered internally for sound absorption
- Comfortable seating

FINISHING

- Structure : HPL



MOBI



MEASUREMENT

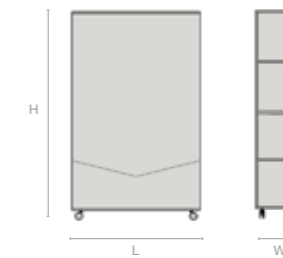
L1200 x D400 x H1900mm

DESCRIPTION

- Double-sided magnetic whiteboard with storage facilities
- Mobile with heavy duty lockable swivel casters
- For fast and agile discussions
- Functions as a room divider
- Comes with a cut-out handle for easy manoeuvring
- Stable and sturdy

FINISHING

- Whiteboard & HPL



ConV ONE



MEASUREMENT

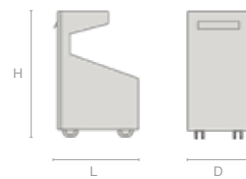
L400 x W300 x H600mm

DESCRIPTION

- Double storage compartment on top for personal belongings
- Open large storage compartment at the bottom for bags or files
- Paired it with our workstations for convenience
- Mobile with nylon casters
- Aluminium handle for easy manoeuvring

FINISHING

- MFC (with option of HPL door)



ConV ACCESS



MEASUREMENT

L1200/1500/1800 x W300 x H300/400mm

DESCRIPTION

- Storage facility with a magnetic whiteboard
- Multifunction design where alternate sides can be used
- Open storage compartment for books or files
- To be placed on top of our workstations for easy access
- Functions as a workstation divider

FINISHING

- MFC (with option of HPL storage inner skin)



ConV SLIDE



MEASUREMENT

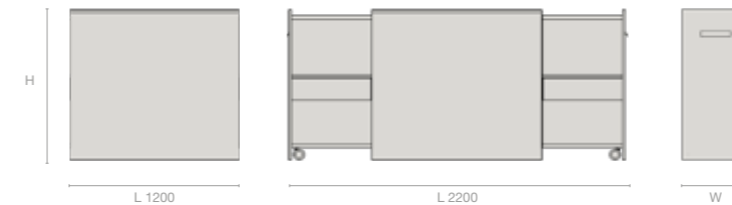
L1200-2200 x W450 x H1050mm

DESCRIPTION

- Storage facility with slidable compartments on both sides
- Open compartments & drawers
- To be placed beside our workstations for convenience
- Functions as a workstation divider
- Aluminium handle for easy manoeuvring
- Lockable compartments

FINISHING

- MFC (with option of HPL door)





COBO



COBO HIGH BACK CHAIR

MEASUREMENT

W575 x D615 x H1090-1180 x SH425-515mm

DESCRIPTION

- Neat, elegant and modern design
- Ergonomic & comfortable Seating
- Fabric headrest with 4-position adjustment
- Removable lumbar support with effective stroke of 45mm
- Highly elastic & breathable mesh
- Fixed stylish armrests
- Multifunction mechanism
- Plastic or chrome steel five-star base with nylon casters

FINISHING

- Colour - Black & Grey White



COBO MEDIUM BACK CHAIR

MEASUREMENT

W575 x D575 x H880-970 x SH425-515mm



LATTICE



LATTICE HIGH BACK CHAIR

MEASUREMENT

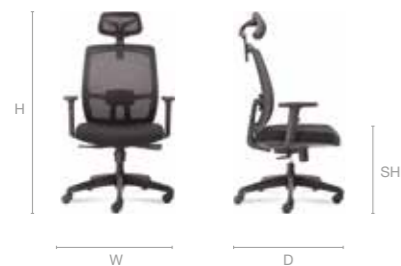
W640 x D610 x H1140-1230 x SH425-515mm

DESCRIPTION

- Durable seating solution
- Ergonomic & comfortable seating
- Removable mesh headrest
- Elastic lumbar support with effective stroke of 90mm
- Highly elastic & breathable mesh
- Option for fixed or adjustable armrests
- Multifunction mechanism
- Plastic or electroplated five-star base with nylon casters

FINISHING

- Colour - Black or Grey



LATTICE MEDIUM BACK CHAIR

MEASUREMENT

W640 x D595 x H940-1030 x SH425-515mm



POLO



POLO HIGH BACK CHAIR

MEASUREMENT

W575 x D615 x H1090-1180 x SH425-515mm

DESCRIPTION

- Classic & Simple design
- Ergonomic & Comfortable Seating
- U-Shape Headrest with 5-position Adjustment
- Double Lumbar Support with effective stroke of 50mm
- Highly elastic & breathable mesh
- Option for fixed or adjustable armrests
- Multifunction mechanism
- Plastic five-star base with nylon casters

FINISHING

- Colour - Black or Grey



POLO MEDIUM BACK CHAIR

MEASUREMENT

W575 x D575 x H880-970 x SH425-515mm



ZEAT CHAIR TRESTLE

Design by Hans Thyge & Co



MEASUREMENT

W460 x D550 x H785 x SH445mm

FINISHING

- Upholstered fabric
- Epoxy powder coated metal frame
- Option : with / without wheels

ZEAT ARM CHAIR TRESTLE WITH WHEEL

Design by Hans Thyge & Co



MEASUREMENT

W535 x D550 x H800 x SH445mm

FINISHING

- Upholstered fabric
- Epoxy powder coated metal frame
- Option : with / without wheels

ZEAT CHAIR

Design by Hans Thyge & Co



MEASUREMENT

W535 x D550 x H810 x SH455mm

Stackable

FINISHING

- Veneer bentwood seat
- Epoxy powder coated metal frame

ZEAT ARM CHAIR

Design by Hans Thyge & Co



MEASUREMENT

W565 x D505 x H810 x SH455mm

Stackable

FINISHING

- Veneer bentwood seat
- Epoxy powder coated metal frame

T-CHAIR

Design by Hans Thyge & Co



MEASUREMENT

W500 x D535 x H750 x SH460mm

Stackable

FINISHING

- Polypropylene (PP)
- Epoxy powder coated metal frame

SERENA CHAIR

Design by Hans Thyge & Co



MEASUREMENT

W540 x D530 x H785 x SH450mm

Stackable

FINISHING

- Polypropylene (PP)
- Epoxy powder coated metal frame

OVNI CHAIR

Design by Enrique Martí



MEASUREMENT

W520 x D530 x H800 x SH450mm

Stackable

FINISHING

- Veneer bentwood seat
- Epoxy powder coated metal frame

OVNI ARM CHAIR

Design by Enrique Martí



MEASUREMENT

W570 x D530 x H810 x SH460mm

Stackable

FINISHING

- Veneer bentwood seat
- Epoxy powder coated metal frame

ROPE CHAIR

Design by Enrique Martí



MEASUREMENT

W495 x D535 x H795 x SH460mm

FINISHING

- Upholstered fabric / PVC leather
- Epoxy powder coated metal frame

ROPE ARM CHAIR

Design by Enrique Martí



MEASUREMENT

W535 x D540 x H800 x SH460mm

FINISHING

- Upholstered fabric / PVC leather
- Epoxy powder coated metal frame

GAJAH CHAIR

Design by Hans Thyge & Co



MEASUREMENT

W615 x D585 x H740 x SH450mm

FINISHING

- Upholstered fabric
- Solid timber frame

PINNA CHAIR

Design by Hans Thyge & Co



MEASUREMENT

W600 x D620 x H740 x SH450mm

FINISHING

- Upholstered fabric
- Solid timber frame

BUONA CHAIR

Design by Enrique Martí



MEASUREMENT

W560 x D550 x H785 x SH475mm

FINISHING

- Upholstered fabric
- Solid timber frame

BUONA CLUB CHAIR

Design by Enrique Martí



MEASUREMENT

W570 x D550 x H740 x SH475mm

FINISHING

- Upholstered fabric
- Solid timber frame

ELI LOW BACK CHAIR

Design by Enrique Martí



MEASUREMENT

W485 x D550 x H790 x SH450mm

FINISHING

- Upholstered fabric
- Solid timber frame

TUCANA CHAIR

Design by Enrique Martí



MEASUREMENT

W510 x D555 x H775 x SH450mm

FINISHING

- Upholstered fabric
- Solid timber frame

GAJAH LOUNGE CHAIR

Design by Hans Thyge & Co



MEASUREMENT

W740 x D860 x H800 x SH425mm

FINISHING

- Upholstered fabric
- Epoxy powder coated metal frame

PINNA LOUNGE CHAIR

Design by Hans Thyge & Co



MEASUREMENT

W820 x D930 x H840 x SH430mm

FINISHING

- Upholstered fabric
- Solid timber frame

BARNEY BEAN BAG



MEASUREMENT

W900 x D750 x H730 x SH300mm

FINISHING

- Upholstered fabric

BORA BEAN BAG



MEASUREMENT

W750 x D850 x H860 x SH300mm

FINISHING

- Upholstered fabric

BOND 1-SEATER LOUNGE

Design by Enrique Martí



MEASUREMENT

W800 x D760 x H625-1210 x SH410mm

FINISHING

- Upholstered fabric

BOND 2-SEATER LOUNGE

Design by Enrique Martí



MEASUREMENT

W1380 x D760 x H625-1210 x SH410mmmm

FINISHING

- Upholstered fabric

BONO BEAN BAG



MEASUREMENT

Ø900rd x H900mm

FINISHING

- Upholstered fabric

BRAN BEAN BAG



MEASUREMENT

W1050 x D1050 x H350mm

FINISHING

- Upholstered fabric



MOSAICO SMALL MODULAR SEATING

Design by Enrique Martí



MEASUREMENT

W750 x D590 x H380mm

FINISHING

- Upholstered fabric
- Epoxy powder coated metal frame

MOSAICO SMALL MODULAR SEATING WITH TRAY

Design by Enrique Martí



MEASUREMENT

W750 x D590 x H380mm

FINISHING

- Upholstered fabric
- Epoxy powder coated metal frame

MOSAICO MEDIUM MODULAR SEATING WITH ARMREST

Design by Enrique Martí



MEASUREMENT

W540 x D530 x H785 x SH450mm

FINISHING

- Upholstered fabric
- Epoxy powder coated metal frame

MOSAICO MEDIUM MODULAR SEATING WITH BACKREST

Design by Enrique Martí



MEASUREMENT

W1200 x D750 x H660 x SH380mm

FINISHING

- Upholstered fabric
- Epoxy powder coated metal frame

MOSAICO MEDIUM MODULAR SEATING WITH TRAY

Design by Enrique Martí



MEASUREMENT

W1200 x D750 x H660 x SH380mm

FINISHING

- Upholstered fabric
- Epoxy powder coated metal frame

MOSAICO LARGE MODULAR SEATING

Design by Enrique Martí



MEASUREMENT

W1760 x D760 x H380mm

FINISHING

- Upholstered fabric
- Epoxy powder coated metal frame

MOSAICO LARGE MODULAR SEATING WITH BACKREST & TRAY

Design by Enrique Martí



MEASUREMENT

W1760 x D760 x H640 x SH380mm

FINISHING

- Upholstered fabric
- Epoxy powder coated metal frame

DAUN SIDE TABLE



MEASUREMENT

W540 x D320 x H570mm

FINISHING

- Worktop : Epoxy powder coated
- Structure : Epoxy powder coated

MOSAICO LARGE MODULAR SEATING WITH TRAY

Design by Enrique Martí



MEASUREMENT

W1760 x D760 x H380mm

FINISHING

- Upholstered fabric
- Epoxy powder coated metal frame

MOSAICO LARGE MODULAR SEATING WITH ARMREST

Design by Enrique Martí



MEASUREMENT

W1760 x D760 x H640 x H380mm

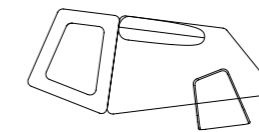
FINISHING

- Upholstered fabric
- Epoxy powder coated metal frame

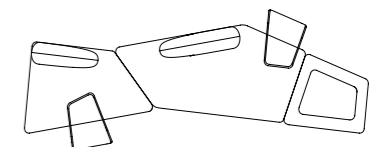
Modular Sample



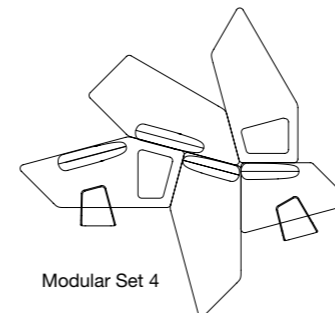
Modular Set 1



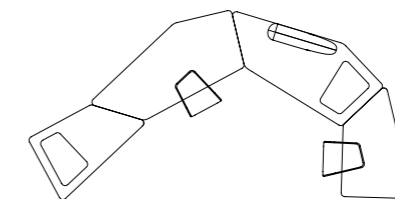
Modular Set 2



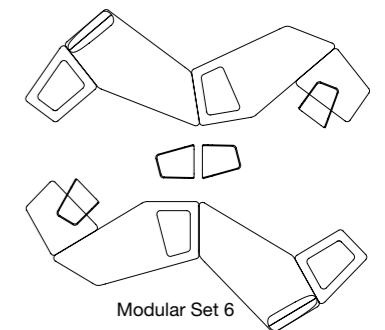
Modular Set 3



Modular Set 4



Modular Set 5



Modular Set 6



LAI 2-SEATER LOUNGE

Design by Enrique Martí



MEASUREMENT

W1900 x D650 x H730 x SH420mm

FINISHING

- Upholstered fabric
- Veneer side table
- Optional electrical power solution

LAI 4-SEATER LOUNGE

Design by Enrique Martí



MEASUREMENT

W2450 x D650 x H730 x SH420mm

FINISHING

- Upholstered fabric
- Veneer side table
- Optional electrical power solution

PENT SMALL MODULAR SEATING



MEASUREMENT

W1390 x D965 x H700 x SH430mm

DESCRIPTION

- Option:
 - Pent Small Modular with Backrest & Insert Tray
 - Pent Small Modular Bench with Insert Tray
 - Pent Small Modular with Backrest
 - Pent Small Modular Bench
 - Left / Right Module
- Optional electrical power solution

FINISHING

- Upholstered fabric
- Epoxy powder coated metal frame
- Veneer tray

PENT LARGE MODULAR SEATING



MEASUREMENT

W2190 x D1170 x H700 x SH430mm

DESCRIPTION

- Option:
 - Pent Large Modular with Backrest & Insert Tray
 - Pent Large Modular Bench with Insert Tray
 - Pent Large Modular with Backrest
 - Pent Large Modular Bench
 - Left / Right Module
- Optional electrical power solution

FINISHING

- Upholstered fabric
- Epoxy powder coated metal frame
- Veneer tray

ROCHE STOOL



MEASUREMENT

W500 x D500 x H410mm

FINISHING

- Upholstered fabric

MARS STOOL



MEASUREMENT

W450 x D450 x H450mm

FINISHING

- Upholstered fabric

BOARD BENCH



MEASUREMENT

W2000 x D450 x H450mm

FINISHING

- Upholstered fabric
- Epoxy powder coated metal frame

MIYA BENCH WITH SIDE PANEL



MEASUREMENT

W1800 x D320 x H450mm

FINISHING

- Solid timber
- Epoxy powder coated metal frame

ONOTO STOOL



MEASUREMENT

Ø420rd x H450mm

FINISHING

- Upholstered fabric

KAVEN STOOL



MEASUREMENT

Ø450rd x H450mm

FINISHING

- Upholstered fabric
- Epoxy powder coated metal frame

RUMBLE STOOL

Design by Attribute Design



MEASUREMENT

W450 x D370 x H450mm

FINISHING

- Polypropylene (PP)

RUMBLE BENCH

Design by Attribute Design



MEASUREMENT

W1230 x D370 x H450mm

FINISHING

- Polypropylene (PP)



ROPE BARSTOOL

Design by Enrique Martí



MEASUREMENT

W545 x D535 x H1125 x SH810mm

FINISHING

- Upholstered fabric / PVC leather
- Epoxy powder coated metal frame

OVNI BARSTOOL

Design by Enrique Martí



MEASUREMENT

W530 x D480 x H1035 x SH760mm

FINISHING

- Veneer bentwood seat & backrest
- Epoxy powder coated metal frame

ZEAT BARSTOOL

Design by Hans Thyge & Co



MEASUREMENT

W450 x D370 x H450mm

FINISHING

- Veneer bentwood Seat
- Epoxy powder coated metal frame

T-BARSTOOL

Design by Hans Thyge & Co



MEASUREMENT

W520 x D550 x H1025 x SH710mm

FINISHING

- Polypropylene (PP)
- Epoxy powder coated metal frame

MOBY PNEUMATIC HEIGHT ADJUSTABLE TABLE BASE



MEASUREMENT

W710 x D475 x H725 - 1125mm

FINISHING

- Worktop : MFC / HPL
- Structure : Epoxy powder coated

HINGE PNEUMATIC HEIGHT ADJUSTABLE TABLE BASE



MEASUREMENT

W710 x D475 x H750 - 1050mm

FINISHING

- Worktop : MFC / HPL
- Structure : Epoxy powder coated

ROYAL SIDE TABLE



MEASUREMENT

Ø750rd x H655mm

FINISHING

- Worktop : Veneer
- Structure : Veneer

TEE SIDE TABLE



MEASUREMENT

Ø500rd x H450mm

FINISHING

- Worktop : Solid timber / Veneer / MFC / HPL
- Structure : Epoxy powder coated

IGGY FOLDING TABLE



MEASUREMENT

W1200 x D600 x H750mm

FINISHING

- Worktop : MFC / HPL
- Structure : Epoxy powder coated

MAG FOLDING TABLE



MEASUREMENT

W1200 x D600 x H750mm

FINISHING

- Worktop : MFC / HPL
- Structure : Epoxy powder coated

CORO SIDE TABLE



MEASUREMENT

Ø450rd x H600mm

FINISHING

- Worktop : Epoxy powder coated
- Structure : Epoxy powder coated

CAPSULE SIDE TABLE



MEASUREMENT

Ø600rd x H520mm

FINISHING

- Worktop : Solid timber / Veneer / MFC / HPL
- Structure : Epoxy powder coated with woodgrain heat transfer sheet

LOGIC COFFEE TABLE



MEASUREMENT

Ø700rd x H450mm

FINISHING

- Worktop : Veneer / MFC / HPL
- Structure : Epoxy powder coated

DUMALIS HEXAGON COFFEE TABLE



MEASUREMENT

Ø900rd x H400mm

FINISHING

- Worktop : Marble / Veneer / MFC / HPL
- Structure : Epoxy powder coated

ZENSO COFFEE TABLE



MEASUREMENT

W1000 x D500 x H500mm

FINISHING

- Worktop : Marble / Veneer / Solid timber
- Structure : Solid Timber

MAJOR COFFEE TABLE



MEASUREMENT

W1255 x D500 x H450mm

FINISHING

- Worktop : Veneer / MFC / HPL
- Structure : Epoxy powder coated

PALEMO COFFEE TABLE



MEASUREMENT

Ø1050rd x H420mm

FINISHING

- Worktop : Veneer
- Structure : Solid timber

WEDELIA COFFEE TABLE



MEASUREMENT

W1000 x D600 x H420mm

FINISHING

- Worktop : Veneer / MFC / HPL
- Structure : Epoxy powder coated

PLAT SLOT TABLE



MEASUREMENT

W550 x D520 x H700mm

FINISHING

- Worktop : Veneer / MFC / HPL
- Structure : Epoxy powder coated

KALIPER SLOT TABLE



MEASUREMENT

W460 x D375 x H645mm

FINISHING

- Worktop : MFC / HPL
- Structure : Epoxy powder coated

MIZU TABLE



MEASUREMENT

W750 x D750 x H750mm

FINISHING

- Worktop : Veneer
- Structure : Solid timber

KITCHEN TABLE



MEASUREMENT

W800 x D700 x H760mm

FINISHING

- Worktop : Veneer
- Structure : Solid timber

JACE TABLE (SOLID SLAB)



MEASUREMENT

W2600 x D1010 x H750mm

FINISHING

- Worktop : Solid timber / Veneer / MFC / HPL
- Structure : Epoxy powder coated

LEXI TABLE



MEASUREMENT

W2000 x D1000 x H750mm

FINISHING

- Worktop : Solid timber / Veneer / MFC / HPL
- Structure : Epoxy powder coated

AGAPE TABLE



MEASUREMENT

W800 x D800 x H750mm

FINISHING

- Worktop : Veneer / MFC / HPL
- Structure : Epoxy powder coated

LOGIC TABLE



MEASUREMENT

Ø900rd x H750mm

FINISHING

- Worktop : Veneer / MFC / HPL
- Structure : Epoxy powder coated

RISA TABLE



MEASUREMENT

W1800 x D830 x H750mm

FINISHING

- Worktop : Veneer / MFC / HPL
- Structure : Epoxy powder coated

STEFANO TABLE



MEASUREMENT

W1600 x D800 x H750mm

FINISHING

- Worktop : Solid timber / Veneer
- Structure : Solid timber & Epoxy powder coated

TORII BAR TABLE



MEASUREMENT

W2100 x D1200 x H1040mm

FINISHING

- Worktop : Solid timber / Veneer / MFC / HPL
- Structure : Solid timber

VENE BAR TABLE



MEASUREMENT

W1800 x D800 x H1050mm

FINISHING

- Worktop : Solid timber / Veneer / MFC / HPL
- Structure : Epoxy powder coated

STABILLA SIGMA S10 STABILISING TABLE BASE



MEASUREMENT

W470 x D470 x H720mm
W470 x D470 x H1020mm

FINISHING

- Worktop : Veneer / MFC / HPL
- Structure : Epoxy powder coated

BARKAS SMALL TABLE BASE

Design by Hans Thyge & Co



MEASUREMENT

W500 x D375 x H720mm
W500 x D375 x H1050mm

FINISHING

- Worktop : Veneer / MFC / HPL
- Structure : Epoxy powder coated

MOSAIC BAR TABLE



*Top view of
tile pattern

MEASUREMENT

W2505 x D877 x H1050mm

FINISHING

- Worktop : Tiles with solid timber edging
- Structure : Epoxy powder coated

TEAM BAR TABLE



MEASUREMENT

W3200 x D1200 x H1050mm

FINISHING

- Worktop : Solid timber
- Structure : Solid timber

BARKAS LARGE TABLE BASE

Design by Hans Thyge & Co



MEASUREMENT

W700 x D505 x H720mm
W700 x D505 x H1050mm

FINISHING

- Worktop : Veneer / MFC / HPL
- Structure : Epoxy powder coated

CAPSULE TABLE BASE



MEASUREMENT

Ø450rd x H720mm
Ø450rd x H1080mm

FINISHING

- Worktop : Veneer / MFC / HPL
- Structure : Epoxy powder coated with woodgrain heat transfer sheet



**MATERIALS
& SWATCHES**



AQUACLEAN®

Imported from Spain

Fabric maintenance is easy when your furniture is upholstered with Aquaclean textiles. Aquaclean uses revolutionary fabric technology to form a flexible, invisible molecular layer that prevents dirt from penetrating the fabric. Common sofa stains such as wine, ink, sauce, fat, mud, chocolate and cream can also be cleaned away with just water.

That's not all. Opt for furniture that's upholstered with Aquaclean fabrics if you have pets at home, and enjoy a healthier, more hygienic environment. A completely smooth Safe Front Hygiene Protector layer protects against scratching by pets as well as accidental snagging by sharp objects, and makes removal of pet hairs easier. It also combats mildew, bacteria and mites which can cause allergies, especially in children and the elderly. Aquaclean is PFC-free and 100% fire-retardant.

- Healthier & more hygienic home
- Quick & simple fabric maintenance
- Cleans with just water
- Protects against scratching & snagging
- Smooth surface for easy removal of pet hairs
- PFC-free & 100% fire-retardant



STEP 1

Remove any excess residue on the upholstery.



STEP 2

Apply water over the stain, either directly or using a damp cloth. Wait for a few seconds.

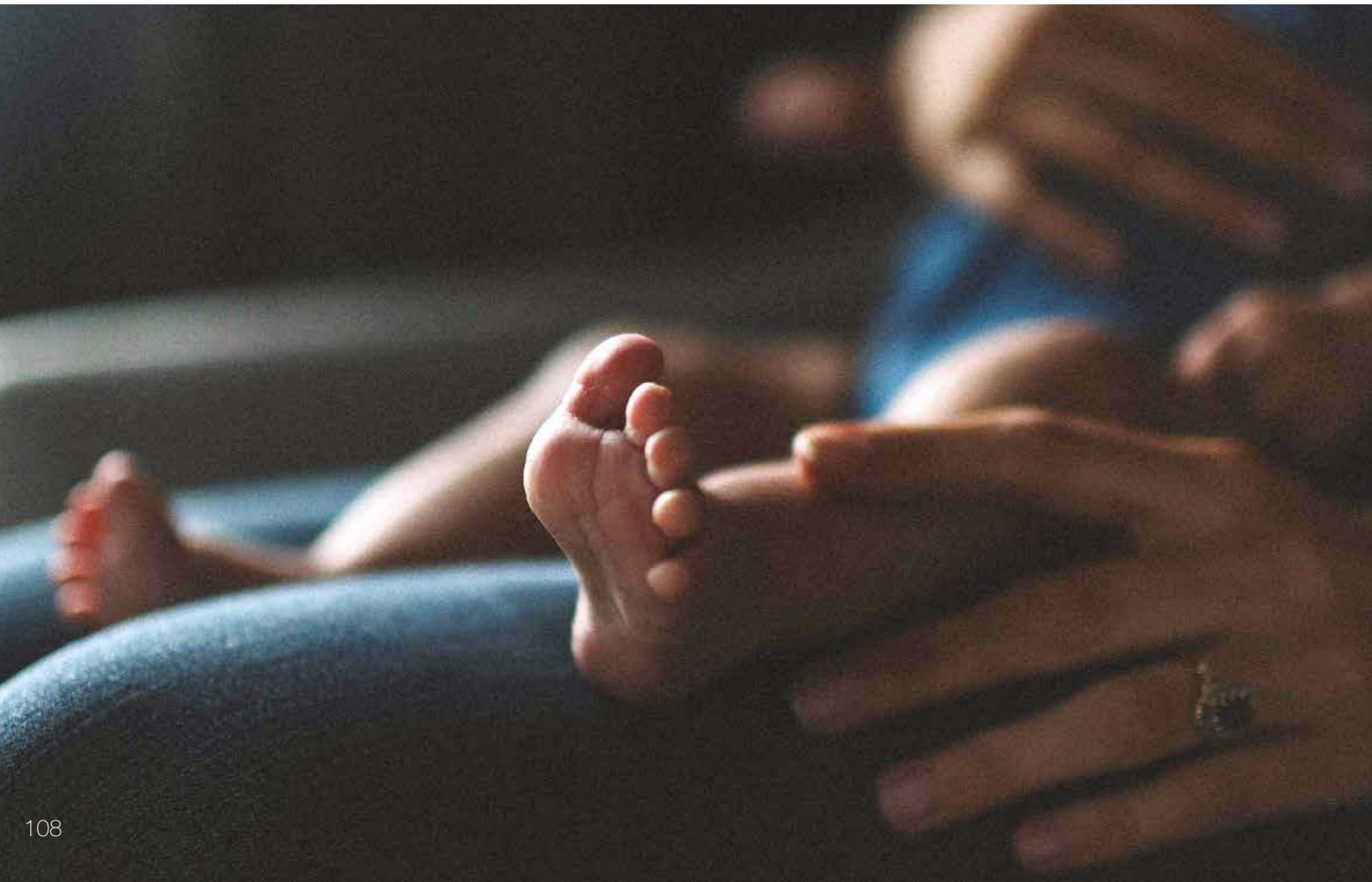
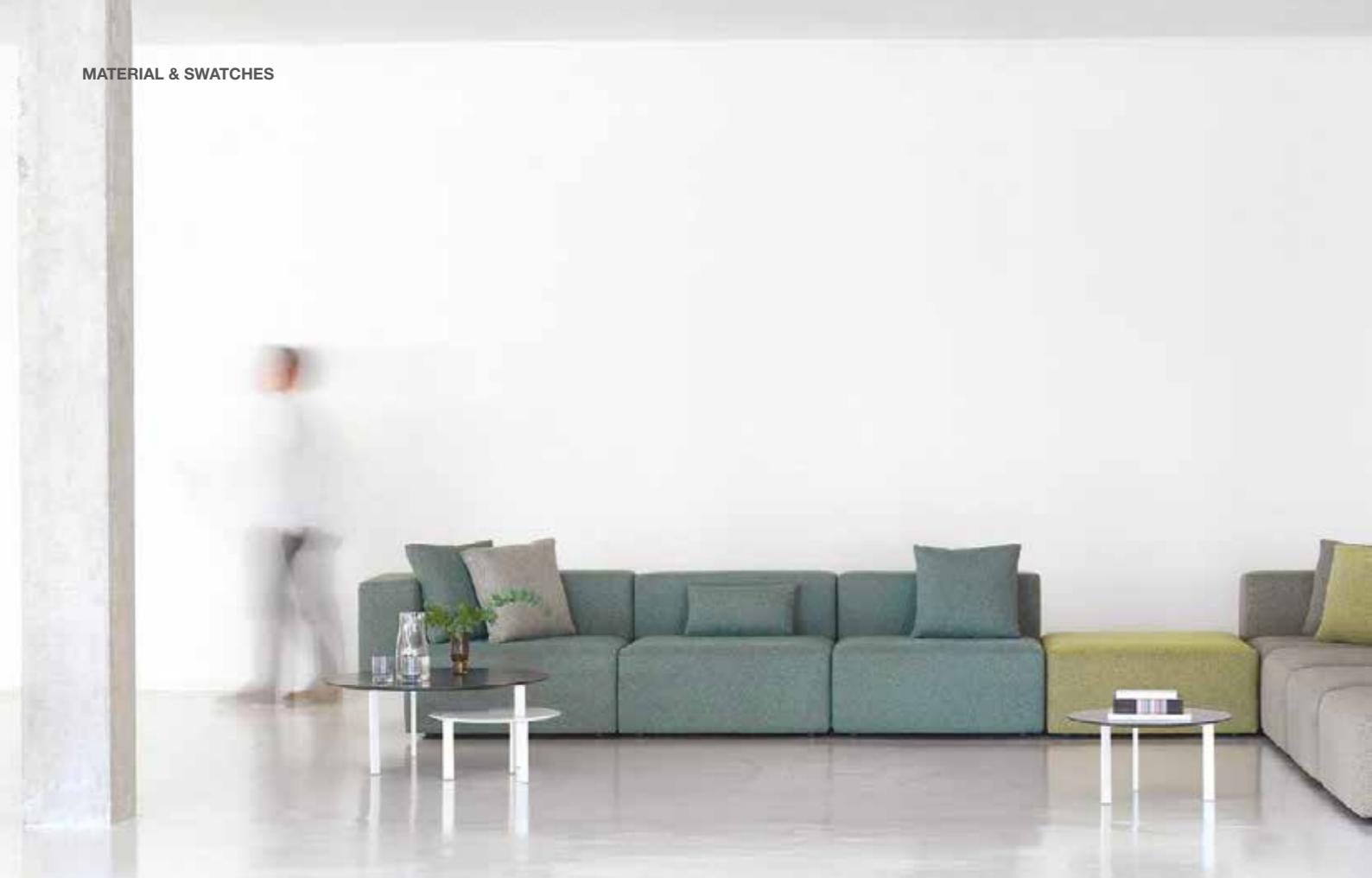


STEP 3

Press down over the stain with a damp cloth and rub gently over the fabric in circular movements. If the stain does not come off completely, repeat the process as required.

Learn more about Aquaclean®





EXPERIENCE YOUR FURNITURE

There are as many ways to enjoy your furniture as there are people in the world. That is why, more than 50 years ago, we decided to create fabrics that were prepared for absolutely everything. Even for the unexpected.

With relevant information regarding COVID-19, our revolutionary Aquaclean fabrics and Safe Front protection helps you keep your furniture safe and hygienic in this new normal. Because for us, we want you to experience your furniture without worrying about anything.

**ENJOYING.
YOUR FURNITURE.
WITHOUT WORRYING.
ABOUT NOTHING.**

CLEAN ON THE OUTSIDE, CLEAN ON THE INSIDE

From within the laboratory of Aquaclean, Safe Front has been tested and proven to inhibit the growth of viruses and bacteria on the fabrics.

Receiving the proper certifications, Safe Front has been proven to:

ISO 20743:2013 8.1

Reducing bacterial activity by 99.99% after 24 hours.

ISO 18184:2019

For the determination of antiviral activity in textile products, demonstrating its effectiveness in more than 91% against Feline Coronavirus, an envelope virus very similar to COVID-19.

Scan here for our latest Safe Front pdf



Aquaclean Fabric Standard Solid Colour



Mystic 1 Mystic 3 Mystic 5 Mystic 7 Mystic 8 Mystic 11



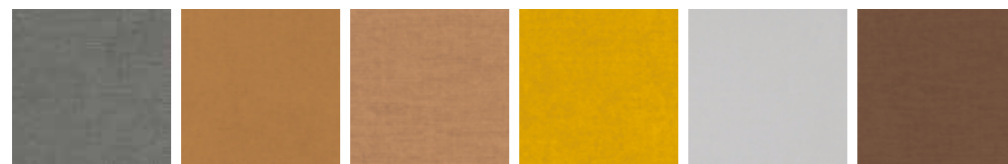
Mystic 12 Mystic 13 Mystic 15 Mystic 18 Mystic 21 Mystic 32



Mystic 38 Mystic 50 Mystic 51 Mystic 52 Mystic 56 Mystic 59



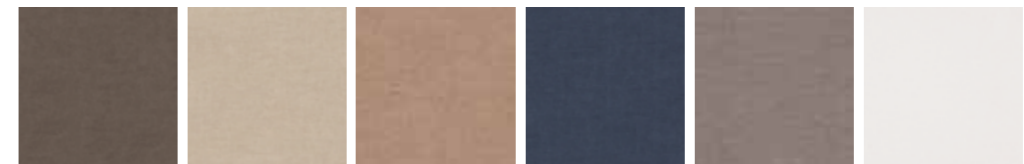
Mystic 61 Mystic 62 Mystic 64 Mystic 65 Mystic 66 Mystic 68



Mystic 69 Mystic 73 Mystic 104 Mystic 105 Mystic 112 Mystic 114



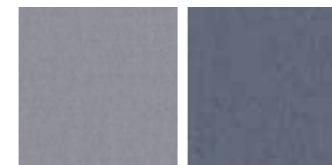
Mystic 131 Mystic 136 Mystic 144 Mystic 161 Mystic 187 Mystic 213



Mystic 214 Mystic 250 Mystic 252 Mystic 311 Mystic 313 Mystic 324



Mystic 373 Mystic 387 Mystic 395 Mystic 503 Mystic 510 Mystic 514



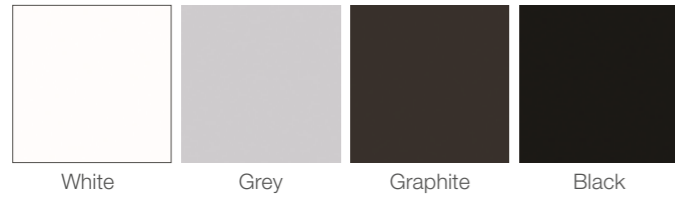
Mystic 602 Mystic 603

Aquaclean Fabric Signature Pattern Colour



Stamford 314 Stamford 324 Stamford 395

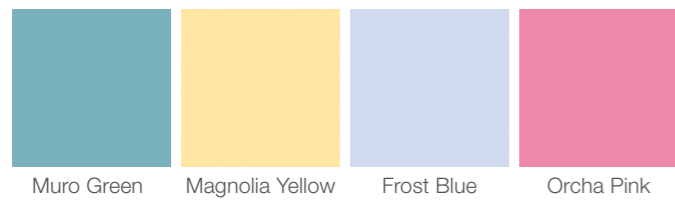
Epoxy Powder Coated Standard Colour



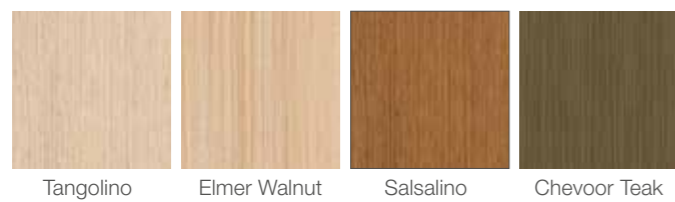
Epoxy Powder Coated Signature Colour



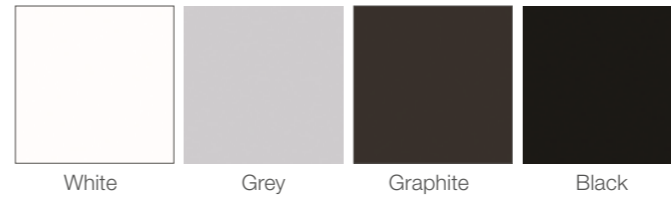
HPL Signature Solid Colour



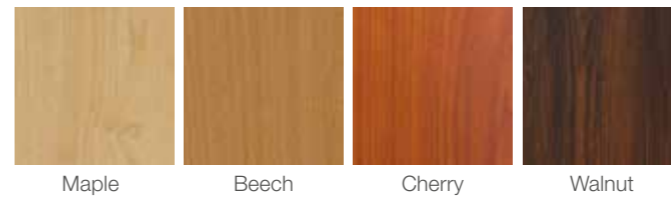
HPL Signature Woodgrain Colour



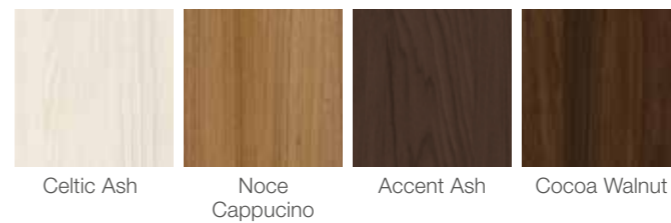
MFC Standard Solid Colour



MFC Standard Woodgrain Colour



MFC Signature Woodgrain Colour



All photographs, artist's impressions, plans, measurements and colour representations are intended for illustrative and informative purposes only. They cannot be regarded as representations of fact and are subject to change at any time. Actual finishes and details may vary. No reproduction or republication of this copyrighted catalogue and/or its concept is permitted, whether in whole or in part.

Copyright © 2020 KIAN Group of Companies
All Rights Reserved



Kian®

Providing Intelligent Furniture Solutions

hello@kian.com

 [kianmarketing](#)

 [kianfurniture](#)